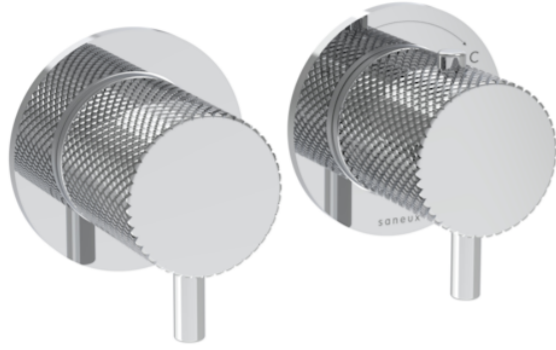


COS 2 WAY THERMOSTATIC SHOWER RING VALVE KIT - W/ KNURLED HANDLE - LANDSCAPE - CHROME

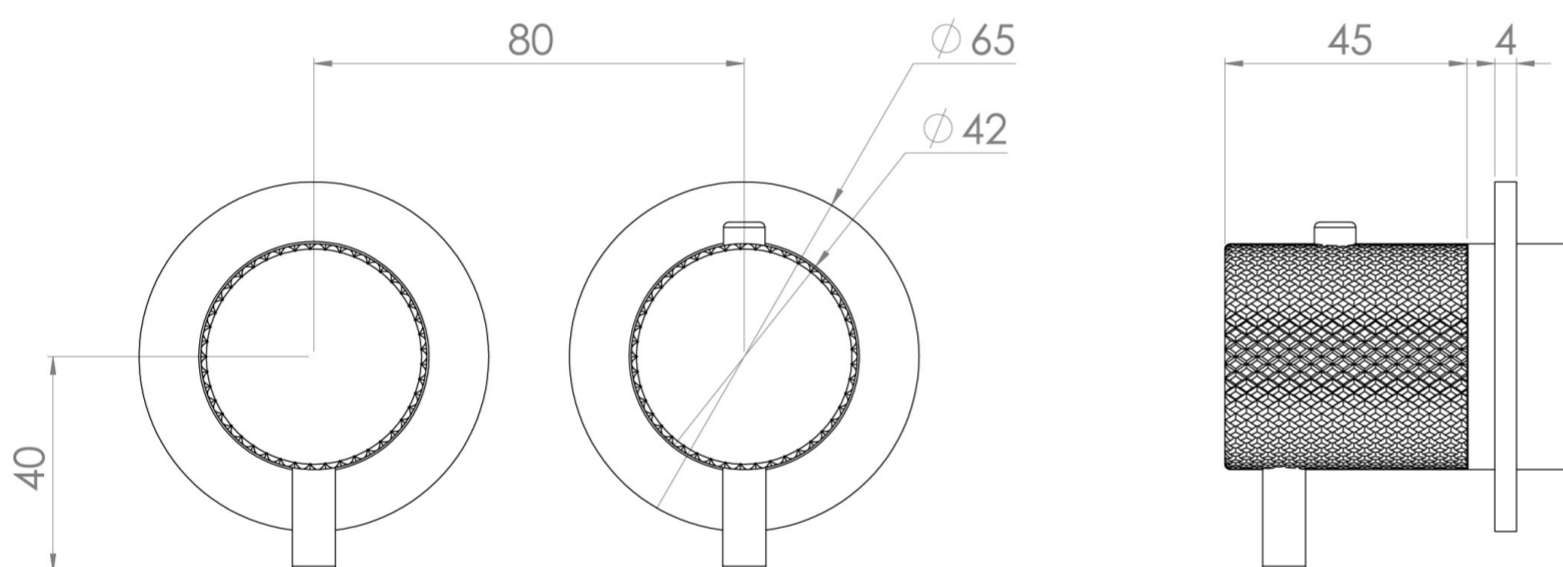


PRODUCT INFORMATION

Finish:	Chrome
Material	Brass
Guarantee	5 years

Product Code: CO320LRV.K

TECHNICAL DRAWING



Saneux reserves the right to alter the specifications and product range without prior notice. Dimensions are given as a guide only. Dimensions should not be used for surrounding furniture, fixtures and fittings until the product is on site.

<https://saneux.com/products/cos-2-way-thermostatic-shower-ring-valve-kit-w-knurled-handle-landscape-chrome>