

# COS 2 WAY THERMOSTATIC SHOWER RING VALVE KIT - W/ CLASSIC HANDLE - LANDSCAPE - CHROME

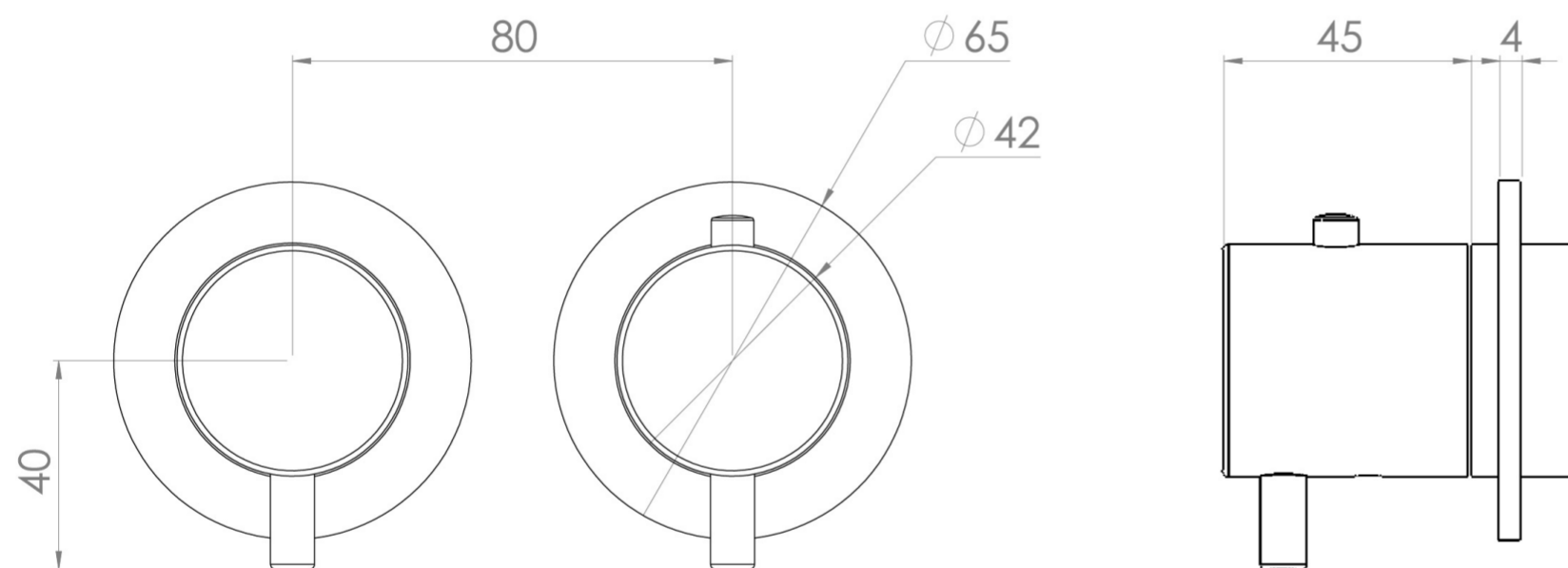


## PRODUCT INFORMATION

<b>Finish:</b>	Chrome
<b>Material</b>	Brass
<b>Guarantee</b>	5 years

**Product Code:** CO320LRV

## TECHNICAL DRAWING



Saneux reserves the right to alter the specifications and product range without prior notice. Dimensions are given as a guide only. Dimensions should not be used for surrounding furniture, fixtures and fittings until the product is on site.

<https://saneux.com/products/cos-2-way-thermostatic-shower-ring-valve-kit-w-classic-handle-landscape-chrome>