

COS 2 WAY 3 HANDLE THERMOSTATIC SHOWER VALVE KIT - W/ KNURLED HANDLE - LANDSCAPE - BRUSHED NICKEL (PVD)



PRODUCT INFORMATION

Height:	120mm
Width:	275mm
Finish:	Brushed Nickel (PVD)
Guarantee	5 years
Outlets	2

Product Code: CO322L.KBN

DESCRIPTION

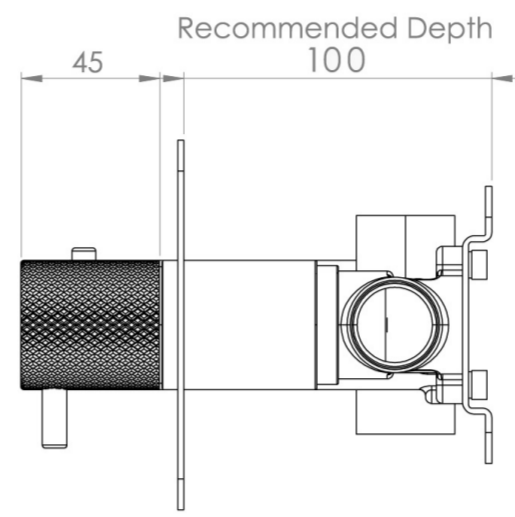
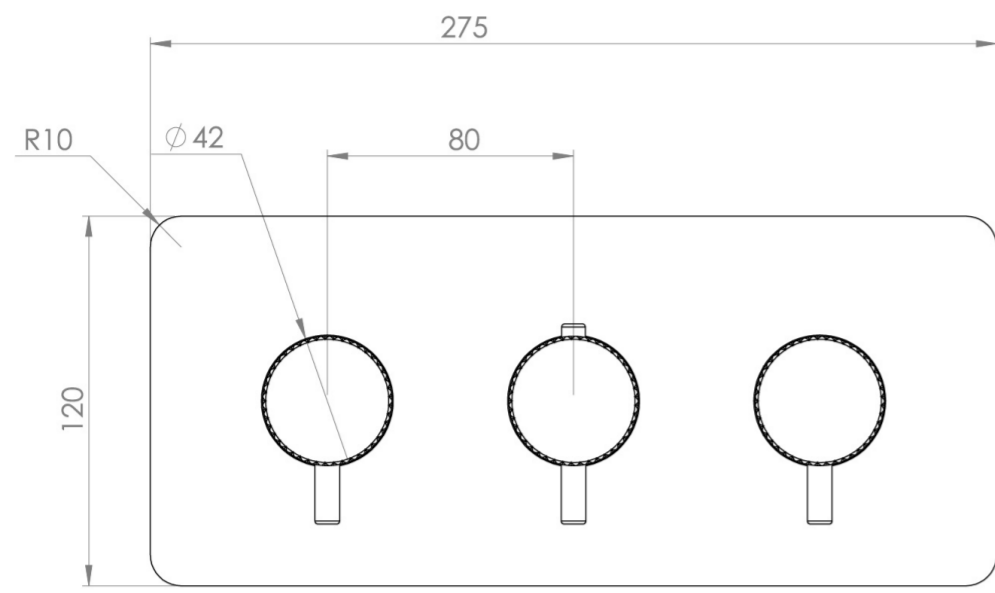
The COS collection blends modern and classic design for versatile bathroom brassware.

This landscape thermostatic valve features 2 outlets, controlling a shower head and handset, a handset and bath filler, or a shower head and bath filler. The left and right handles manage the on/off function, while the middle handle adjusts the temperature.

Choose from three handle styles—Classic, Knurled, and Fluted—in five finishes: Chrome, Brushed Brass, Brushed Bronze, Brushed Nickel, and Satin Black. The PVD-coated finishes ensure durability and high quality.

WRAS Approved Valve

TECHNICAL DRAWING



FLOW RATE

- 0.5 Bar - Flowrate: 10.7 l/min
- 1 Bar - Flowrate: 21 l/min
- 2 Bar - Flowrate: 28.5 l/min
- 3 Bar - Flowrate: 35 l/min
- 5 Bar - Flowrate: 32.7 l/min

Saneux reserves the right to alter the specifications and product range without prior notice. Dimensions are given as a guide only. Dimensions should not be used for surrounding furniture, fixtures and fittings until the product is on site.

<https://saneux.com/products/cos-2-way-3-handle-thermostatic-shower-valve-kit-w-knurled-handle-landscape-brushed-nickel-pvd>