

COS 3 WAY THERMOSTATIC SHOWER VALVE KIT - W/ KNURLED HANDLE - LANDSCAPE - BRUSHED NICKEL (PVD)



PRODUCT INFORMATION

Height:	120mm
Width:	275mm
Finish:	Brushed Nickel (PVD)
Guarantee	5 years
Outlets	3

Product Code: CO321L.KBN

DESCRIPTION

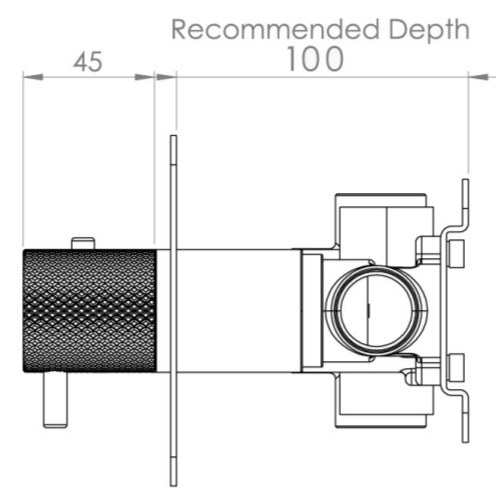
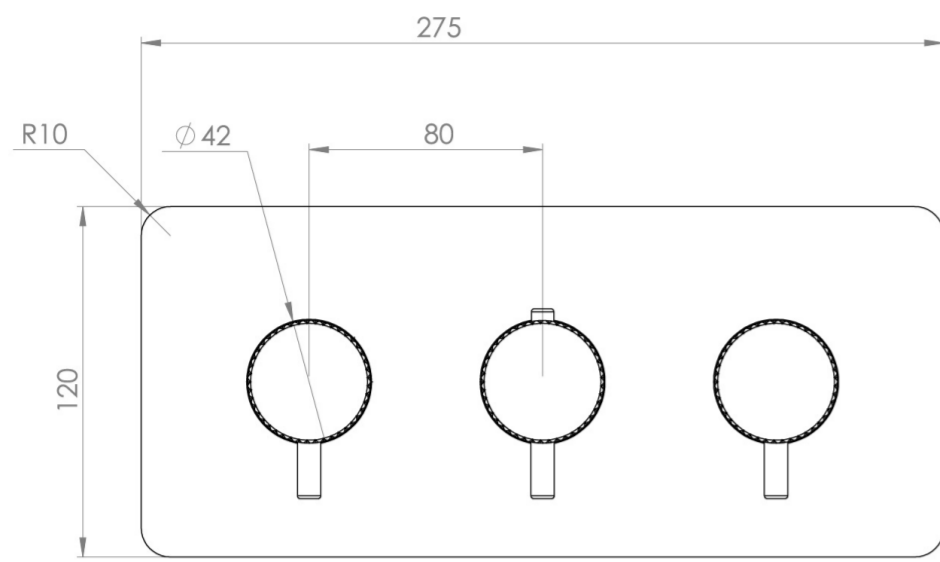
The COS collection combines modern and classic styles for versatile bathroom brassware.

This landscape thermostatic valve features 3 outlets to control a shower head, handset, and bath filler. The left and right handles manage the on/off functions, while the middle handle adjusts the temperature.

Available with three handle styles—Classic, Knurled, and Fluted—and in five finishes: Chrome, Brushed Brass, Brushed Bronze, Brushed Nickel, and Satin Black. The PVD-coated finishes ensure durability.

WRAS Approved Valve

TECHNICAL DRAWING



FLOW RATE

- 0.5 Bar - Flowrate: 7.8 l/min
- 1 Bar - Flowrate: 16 l/min
- 2 Bar - Flowrate: 22.5 l/min
- 3 Bar - Flowrate: 28.5 l/min
- 5 Bar - Flowrate: 24.2 l/min

Saneux reserves the right to alter the specifications and product range without prior notice. Dimensions are given as a guide only. Dimensions should not be used for surrounding furniture, fixtures and fittings until the product is on site.

<https://saneux.com/products/cos-3-way-thermostatic-shower-valve-kit-w-knurled-handle-landscape-brushed-nickel-pvd>