

# COS 2 WAY THERMOSTATIC SHOWER VALVE KIT - W/ KNURLED HANDLE - PORTRAIT - SATIN BLACK (PVD)



## PRODUCT INFORMATION

<b>Height:</b>	215mm
<b>Width:</b>	120mm
<b>Finish:</b>	Satin Black (PVD)
<b>Guarantee</b>	5 years
<b>Outlets</b>	2

**Product Code:** CO320.KSB

## DESCRIPTION

The COS collection was designed to create brassware that was both modern and classic to suit any style of bathroom.

This thermostatic valve has 2 outlets which allows it to control a shower head and handset, a handset and bath filler, or a shower head and bath filler. The top handle controls the on/off function of the two components, whilst the bottom handle controls the water temperature.

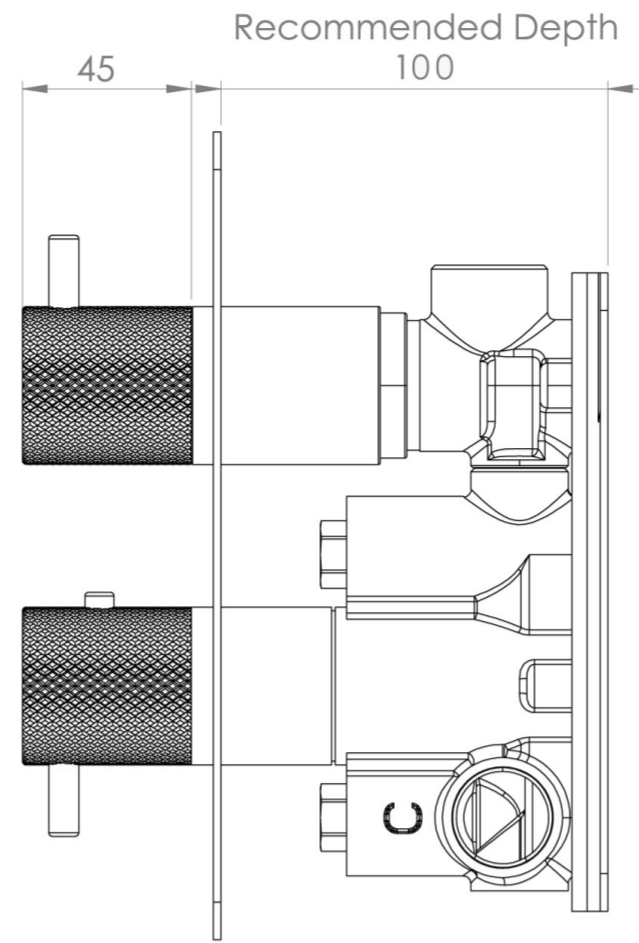
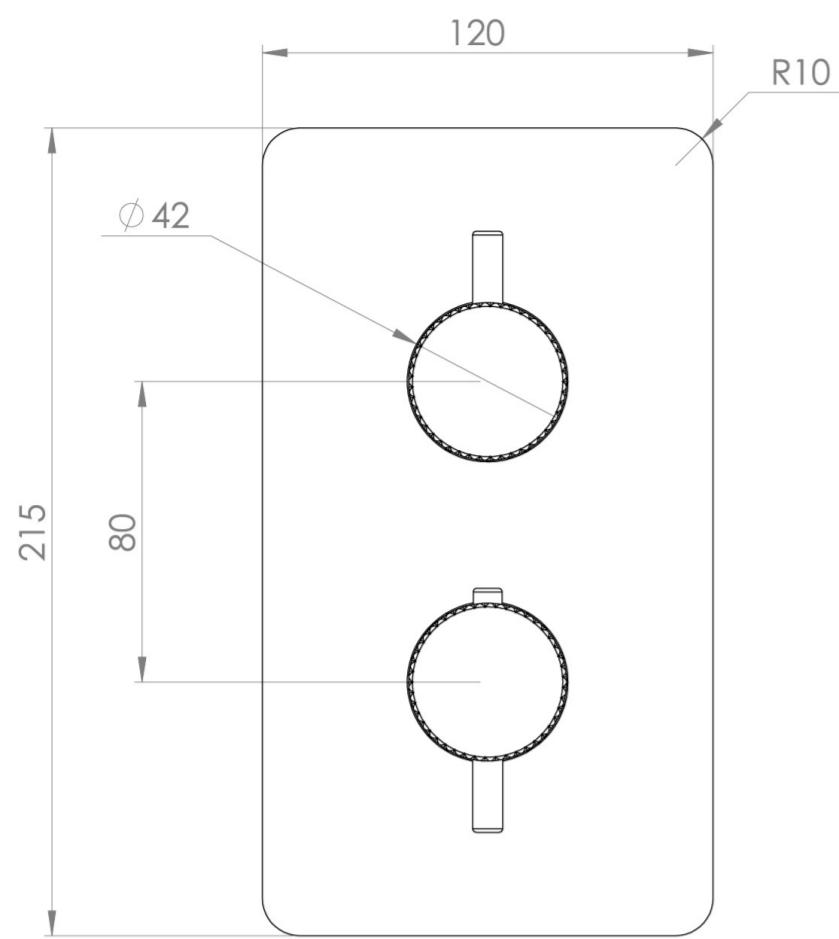
It offers three distinct handle options—Classic, Knurled, and Fluted—each available in five stunning finishes: Chrome, Brushed Brass, Brushed Bronze, Brushed Nickel, and Satin Black.

The colored finishes utilize a PVD coating, ensuring superior quality and long-lasting durability.

\*WRAS Approved valve

# TECHNICAL DRAWING

# FLOW RATE



- 0.5 Bar - Flowrate: 7.8 l/min
- 1 Bar - Flowrate: 16 l/min
- 2 Bar - Flowrate: 22.5 l/min
- 3 Bar - Flowrate: 28.5 l/min
- 5 Bar - Flowrate: 24.2 l/min

Saneux reserves the right to alter the specifications and product range without prior notice. Dimensions are given as a guide only. Dimensions should not be used for surrounding furniture, fixtures and fittings until the product is on site.

<https://saneux.com/products/cos-2-way-thermostatic-shower-valve-kit-w-knurled-handle-portrait-satin-black-pvd>