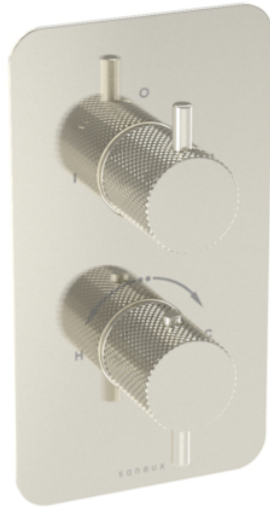


# COS 2 WAY THERMOSTATIC SHOWER VALVE KIT - W/ KNURLED HANDLE - PORTRAIT - BRUSHED NICKEL (PVD)



---

## PRODUCT INFORMATION

|                  |                      |
|------------------|----------------------|
| <b>Height:</b>   | 215mm                |
| <b>Width:</b>    | 120mm                |
| <b>Finish:</b>   | Brushed Nickel (PVD) |
| <b>Guarantee</b> | 5 years              |
| <b>Outlets</b>   | 2                    |

**Product Code:** CO320.KBN

---

## DESCRIPTION

The COS collection was designed to create brassware that was both modern and classic to suit any style of bathroom.

This thermostatic valve has 2 outlets which allows it to control a shower head and handset, a handset and bath filler, or a shower head and bath filler. The top handle controls the on/off function of the two components, whilst the bottom handle controls the water temperature.

It offers three distinct handle options—Classic, Knurled, and Fluted—each available in five stunning finishes: Chrome, Brushed Brass, Brushed Bronze, Brushed Nickel, and Satin Black.

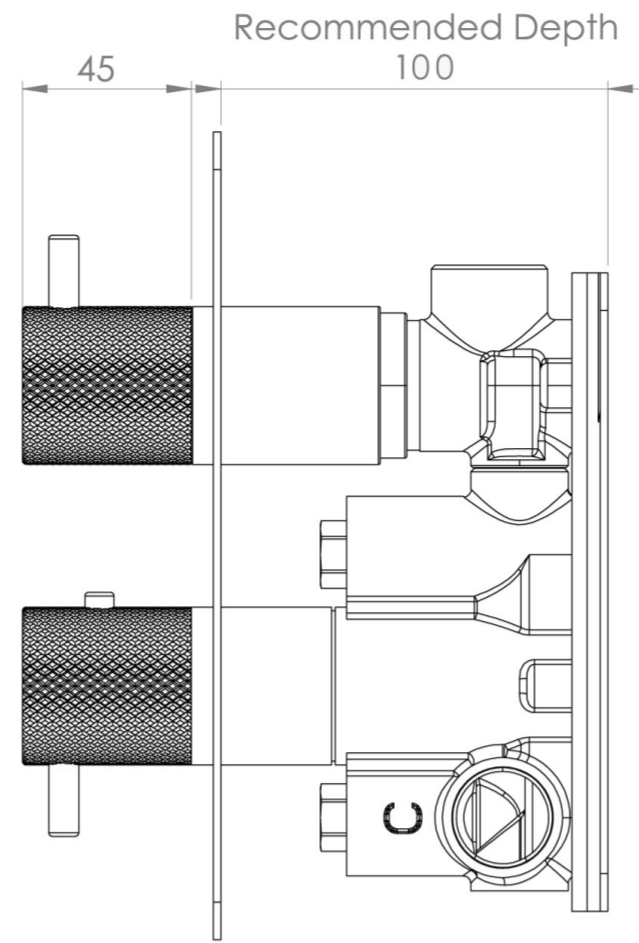
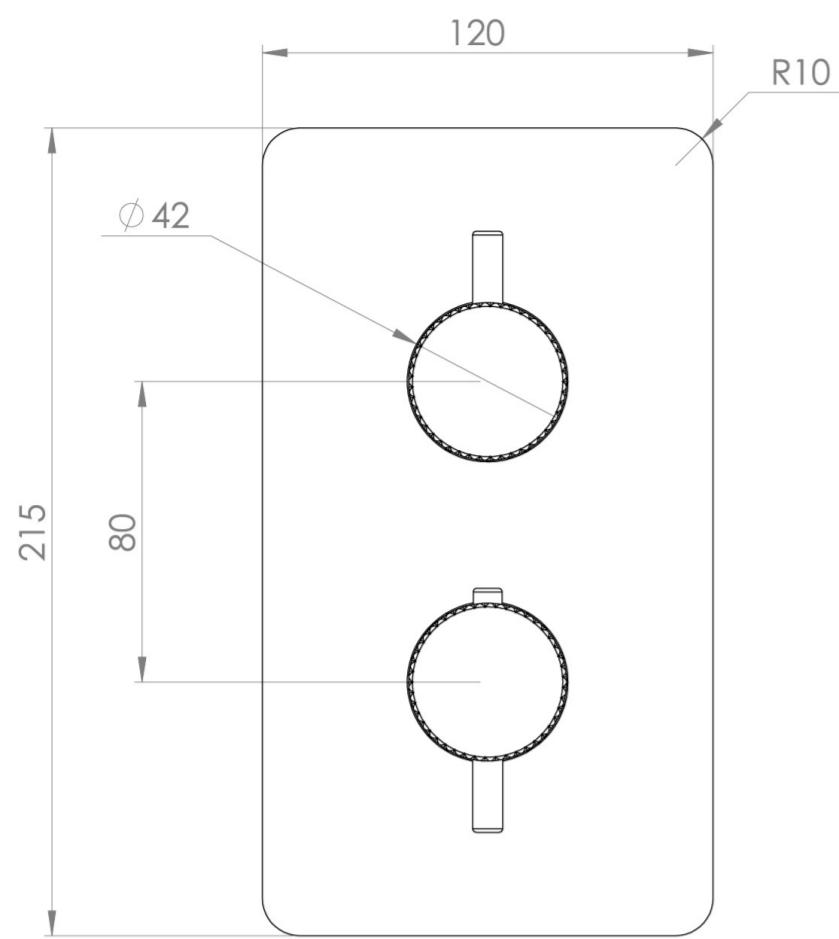
The colored finishes utilize a PVD coating, ensuring superior quality and long-lasting durability.

\*WRAS Approved valve

---

# TECHNICAL DRAWING

# FLOW RATE



- 0.5 Bar - Flowrate: 7.8 l/min
- 1 Bar - Flowrate: 16 l/min
- 2 Bar - Flowrate: 22.5 l/min
- 3 Bar - Flowrate: 28.5 l/min
- 5 Bar - Flowrate: 24.2 l/min

Saneux reserves the right to alter the specifications and product range without prior notice. Dimensions are given as a guide only. Dimensions should not be used for surrounding furniture, fixtures and fittings until the product is on site.

<https://saneux.com/products/cos-2-way-thermostatic-shower-valve-kit-w-knurled-handle-portrait-brushed-nickel-pvd>