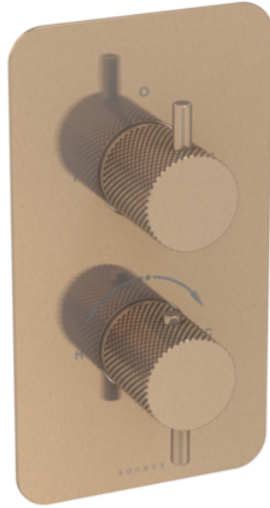


# COS 1 WAY THERMOSTATIC SHOWER VALVE KIT - W/ KNURLED HANDLE - BRUSHED BRONZE (PVD)



## PRODUCT INFORMATION

<b>Height:</b>	215mm
<b>Width:</b>	120mm
<b>Finish:</b>	Brushed Bronze (PVD)
<b>Guarantee</b>	5 years
<b>Outlets</b>	Yes

**Product Code:** CO319.KBR

## DESCRIPTION

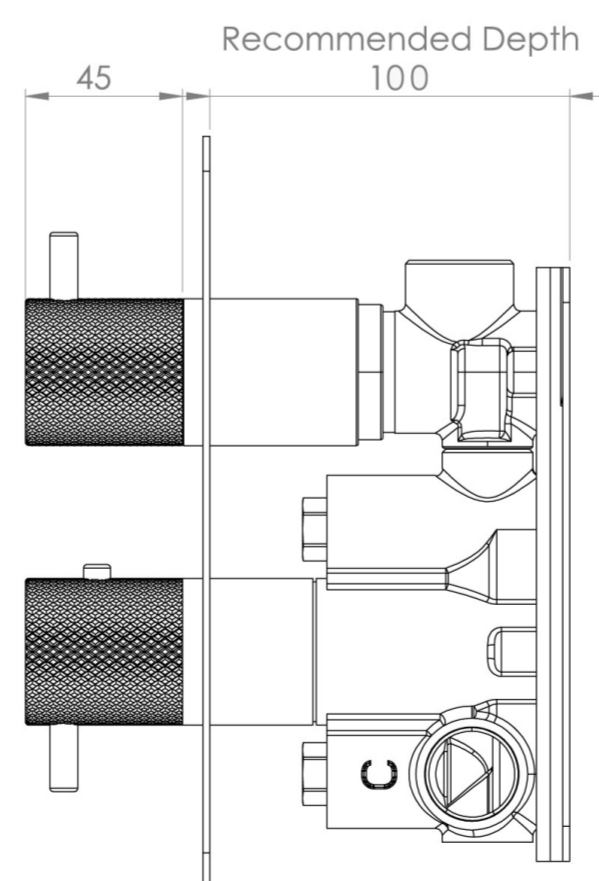
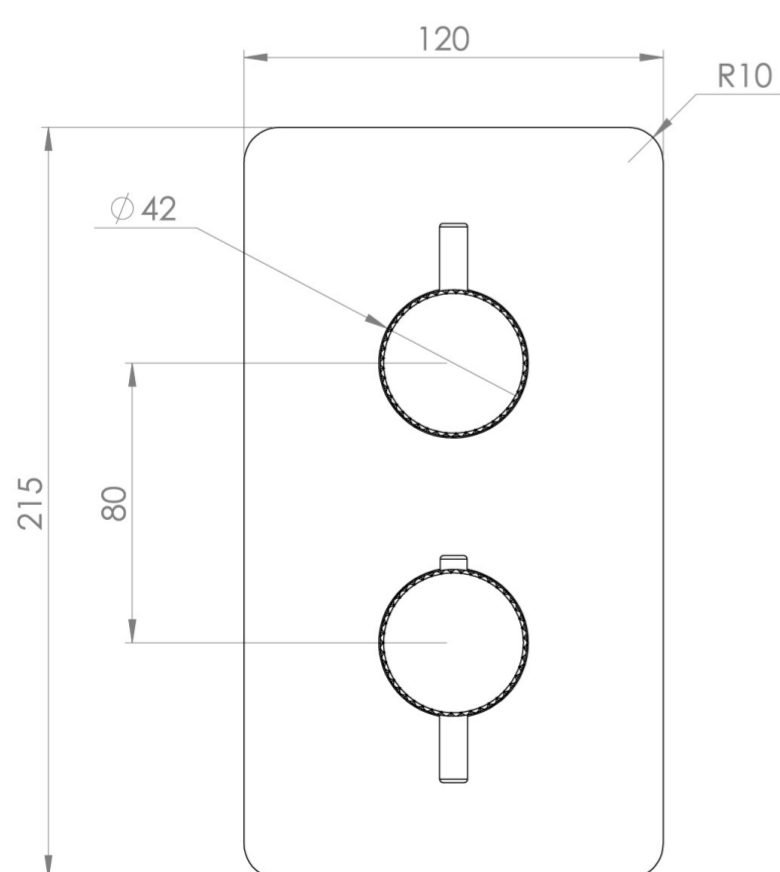
This thermostatic valve has 1 outlet which allows it to control either a shower head, a shower handset, or a bath filler. The top handle turns the component on and off, and the bottom handle controls the water temperature.

It offers three distinct handle options—Classic, Knurled, and Fluted—each available in five stunning finishes: Chrome, Brushed Brass, Brushed Bronze, Brushed Nickel, and Satin Black.

The colored finishes utilize a PVD coating, ensuring superior quality and long-lasting durability.

\*WRAS Approved valve

## TECHNICAL DRAWING



## FLOW RATE

- 0.5 Bar - Flowrate: 10.7 l/min
- 1 Bar - Flowrate: 21 l/min
- 2 Bar - Flowrate: 28.5 l/min
- 3 Bar - Flowrate: 35 l/min
- 5 Bar - Flowrate: 32.7 l/min

Saneux reserves the right to alter the specifications and product range without prior notice. Dimensions are given as a guide only. Dimensions should not be used for surrounding furniture, fixtures and fittings until the product is on site.

<https://saneux.com/products/cos-1-way-thermostatic-shower-valve-kit-w-knurled-handle-brushed-bronze-pvd>