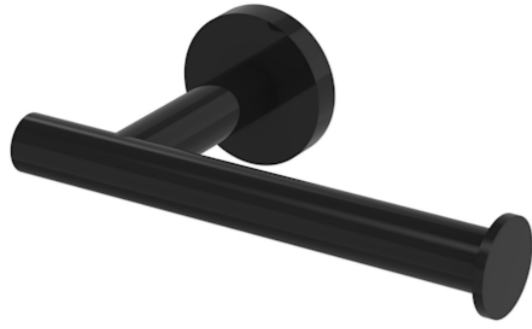


COS TOILET ROLL HOLDER - SATIN BLACK



PRODUCT INFORMATION

Finish:	Satin Black
Height:	52mm
Width:	167mm
Depth:	92mm
Material:	Brass
Weight:	0.29kg

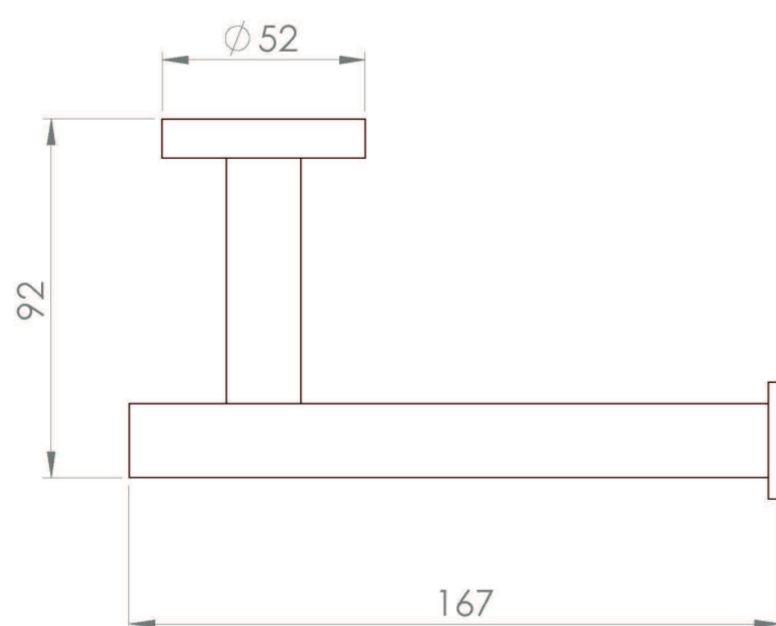
Product Code: CO262.SB

DESCRIPTION

The COS collection was designed to create brassware that was both modern and classic to suit any style of bathroom. The accessories will be the perfect finishing touches needed to complete your bathroom look.

This toilet paper holder in satin black has a clean and simple design, and can be installed to face either left or right so that it can work in different spaces.

TECHNICAL DRAWING



Saneux reserves the right to alter the specifications and product range without prior notice. Dimensions are given as a guide only. Dimensions should not be used for surrounding furniture, fixtures and fittings until the product is on site.