

COS 200X8MM ROUND SHOWER HEAD - SATIN BLACK



Product Code: CO226.SB

PRODUCT INFORMATION

Finish:	Satin Black (PVD)
Height:	60mm
Width:	200mm
Depth:	200mm
Material	Brass
Weight	0.95kg
Guarantee	5 years

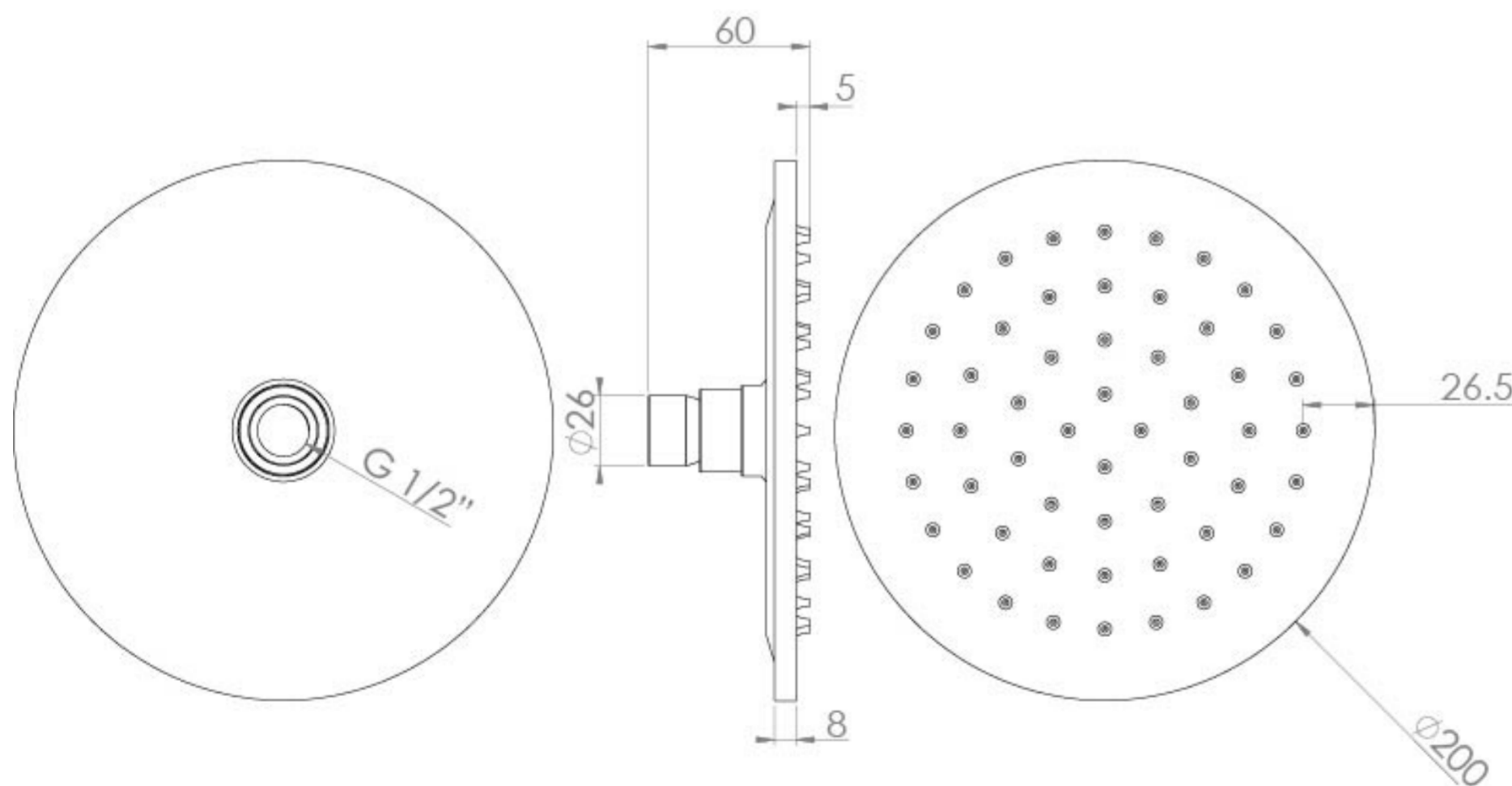
DESCRIPTION

The COS collection was designed to create brassware that was both modern and classic to suit any style of bathroom.

Step into a luxurious and relaxing shower by opting for this COS standard shower head in satin black. It perfectly suits our round ceiling mounted and wall mounted shower arms in the same range, and it has a swivel feature so you can change the direction of spray.

The satin black finish is in fact a PVD coating, which will help to make the brassware look flawless for years to come.

TECHNICAL DRAWING



Saneux reserves the right to alter the specifications and product range without prior notice. Dimensions are given as a guide only. Dimensions should not be used for surrounding furniture, fixtures and fittings until the product is on site.