

# COS 3 WAY THERMOSTATIC SHOWER VALVE KIT - W/ CLASSIC HANDLE - LANDSCAPE - SATIN BLACK (PVD)



## PRODUCT INFORMATION

<b>Height:</b>	120mm
<b>Width:</b>	275mm
<b>Finish:</b>	Satin Black (PVD)
<b>Guarantee</b>	5 years
<b>Outlets</b>	3

**Product Code:** CO321L.SB

## DESCRIPTION

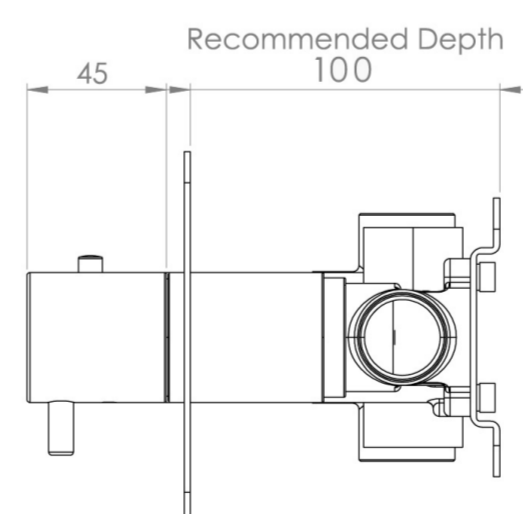
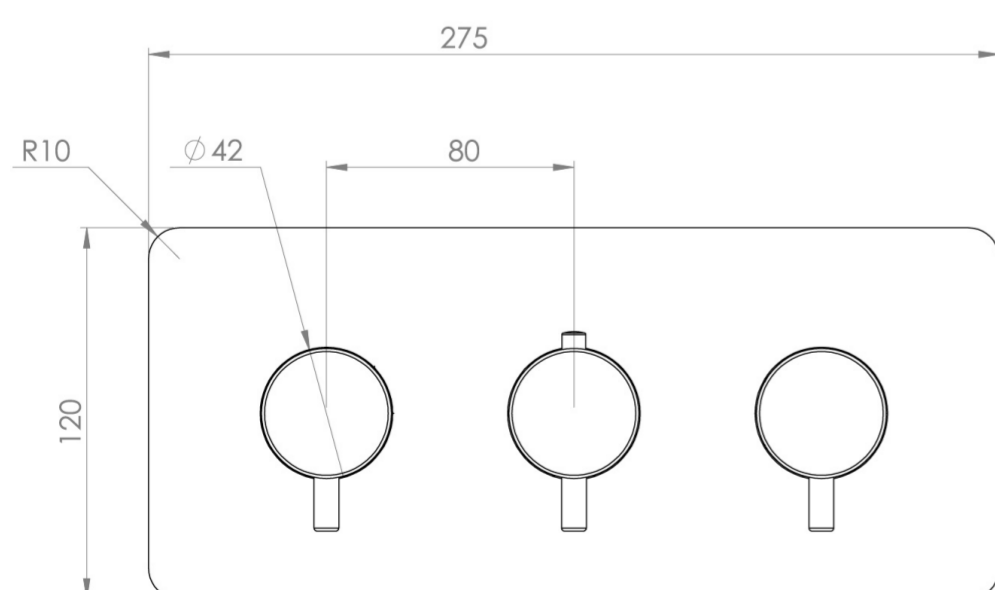
The COS collection combines modern and classic styles for versatile bathroom brassware.

This landscape thermostatic valve features 3 outlets to control a shower head, handset, and bath filler. The left and right handles manage the on/off functions, while the middle handle adjusts the temperature.

Available with three handle styles—Classic, Knurled, and Fluted—and in five finishes: Chrome, Brushed Brass, Brushed Bronze, Brushed Nickel, and Satin Black. The PVD-coated finishes ensure durability.

WRAS Approved Valve

## TECHNICAL DRAWING



## FLOW RATE

- 0.5 Bar - Flowrate: 7.8 l/min
- 1 Bar - Flowrate: 16 l/min
- 2 Bar - Flowrate: 22.5 l/min
- 3 Bar - Flowrate: 28.5 l/min
- 5 Bar - Flowrate: 24.2 l/min

Saneux reserves the right to alter the specifications and product range without prior notice. Dimensions are given as a guide only. Dimensions should not be used for surrounding furniture, fixtures and fittings until the product is on site.

<https://saneux.com/products/cos-3-way-thermostatic-shower-valve-kit-w-classic-handle-landscape-satin-black-pvd>