

# COS 2 PLATE WALL MOUNTED KIT - W/ SHORT SPOUT (130MM) W/ FLUTED HANDLE - SATIN BLACK (PVD)



**Product Code:** CO305S.FSB

## PRODUCT INFORMATION

|                              |                                   |
|------------------------------|-----------------------------------|
| <b>Height:</b>               | 103mm                             |
| <b>Width:</b>                | 155mm                             |
| <b>Depth:</b>                | 143mm                             |
| <b>Finish:</b>               | Satin Black (PVD)                 |
| <b>Product Type:</b>         | Wall Mounted Basin Mixer Tap      |
| <b>Material</b>              | Brass                             |
| <b>Waste</b>                 | Not included, purchase separately |
| <b>Guarantee</b>             | 5 years                           |
| <b>Spout Projection (mm)</b> | 133                               |

## DESCRIPTION

The new Cos basin mixer collection showcases a sleek, streamlined body with an intricately designed spout. It offers three distinct handle options—Classic, Knurled, and Fluted—each available in five stunning finishes: Chrome, Brushed Brass, Brushed Bronze, Brushed Nickel, and Satin Black.

The colored finishes utilize a PVD coating, ensuring superior quality and long-lasting durability.

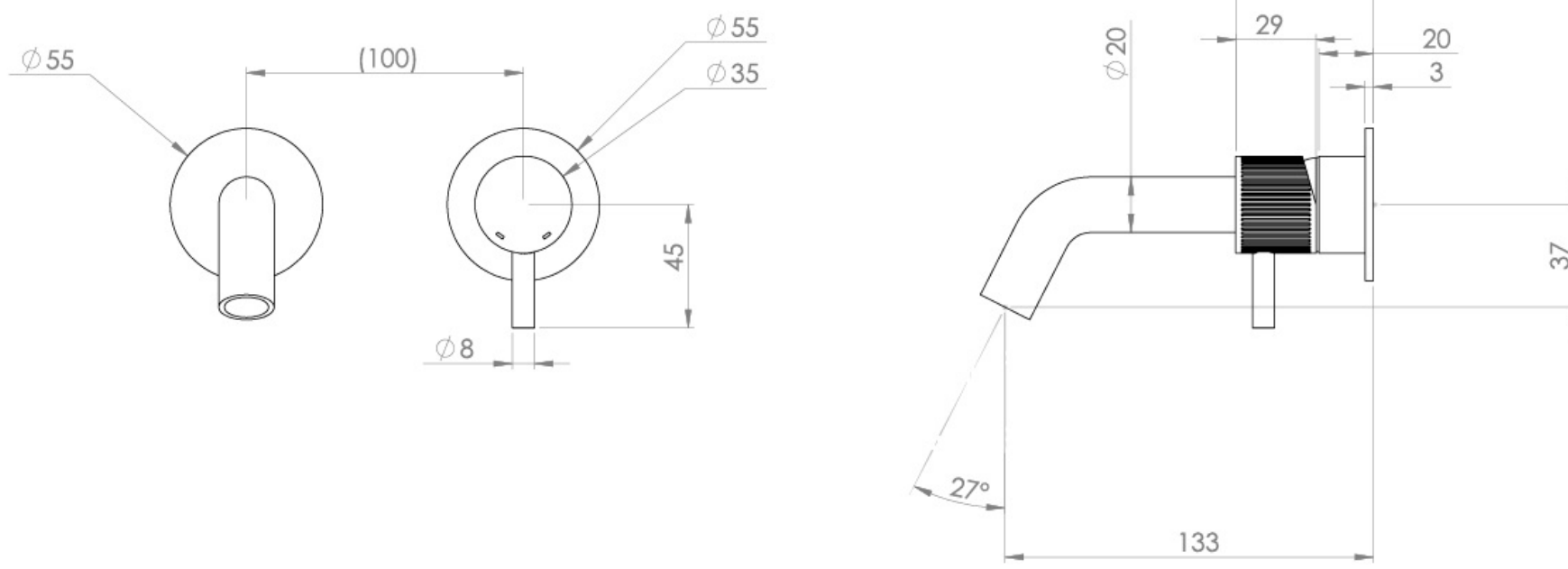
This wall-mounted basin mixer is available with short, standard, and long spouts, and is designed for use with a basin that has a 0 tap hole or a sit-on basin.

Waste to be purchased separately.

# TECHNICAL DRAWING

# FLOW RATE

- 1 Bar - Flowrate: 3.9 l/min
- 2 Bar - Flowrate: 4.18 l/min
- 3 Bar - Flowrate: 4.18 l/min
- 5 Bar - Flowrate: 4.69 l/min



Saneux reserves the right to alter the specifications and product range without prior notice. Dimensions are given as a guide only. Dimensions should not be used for surrounding furniture, fixtures and fittings until the product is on site.

<https://saneux.com/products/cos-2-plate-wall-mounted-kit-w-short-spout-130mm-w-fluted-handle-satin-black-pvd>