

COS 2 PLATE WALL MOUNTED KIT - W/ LONG SPOUT (220MM) W/ CLASSIC HANDLE - SATIN BLACK (PVD)

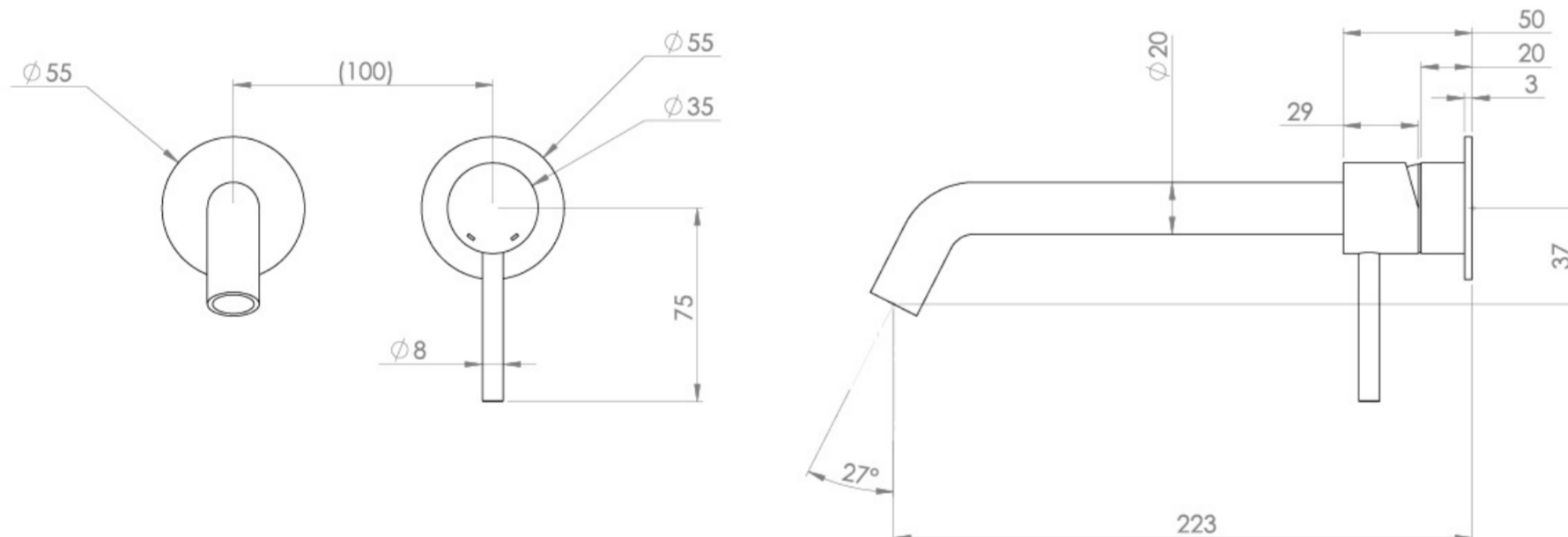


PRODUCT INFORMATION

Finish:	Satin Black (PVD)
Material	Brass
Waste	Not included, purchase separately
Guarantee	5 years
Spout Projection (mm)	223

Product Code: CO305L.SB

TECHNICAL DRAWING



Saneux reserves the right to alter the specifications and product range without prior notice. Dimensions are given as a guide only. Dimensions should not be used for surrounding furniture, fixtures and fittings until the product is on site.

<https://saneux.com/products/cos-2-plate-wall-mounted-kit-w-long-spout-220mm-w-classic-handle-satin-black-pvd>