

# COS 3 TAP HOLE WALL MOUNTED KIT - W/ SHORT SPOUT (130MM) W/ KNURLED HANDLE - CHROME

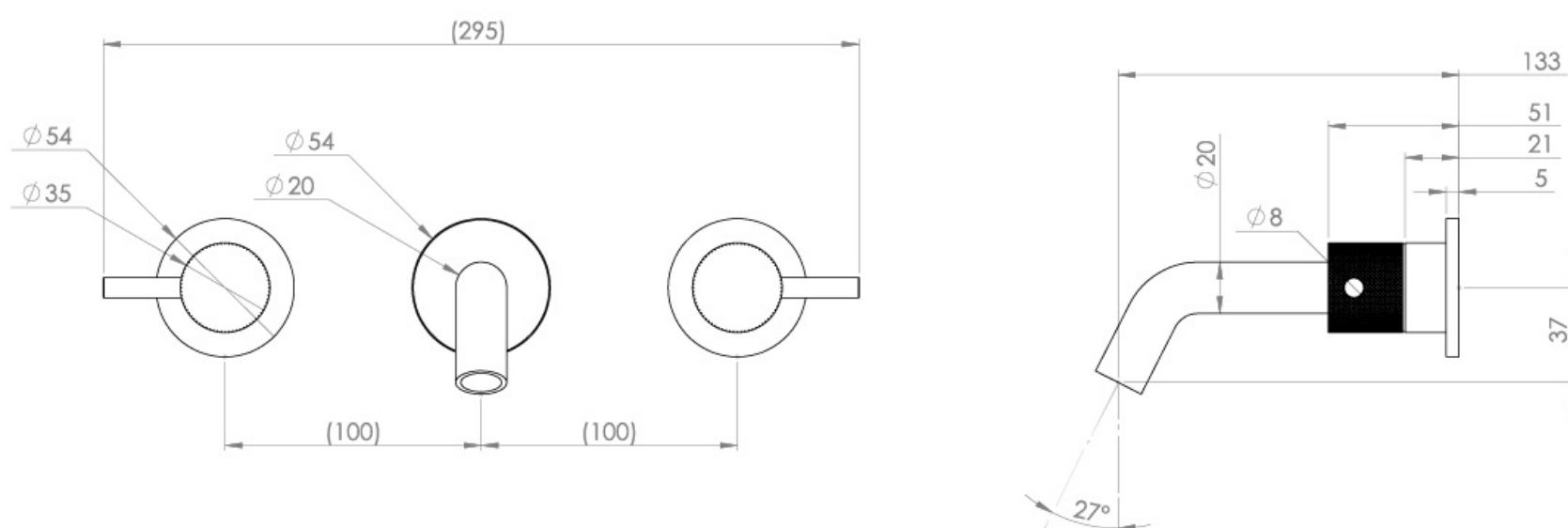


## PRODUCT INFORMATION

<b>Finish:</b>	Chrome
<b>Material</b>	Brass
<b>Waste</b>	Not included, purchase separately
<b>Guarantee</b>	5 years
<b>Spout Projection (mm)</b>	133

**Product Code:** CO304S.K

## TECHNICAL DRAWING



Saneux reserves the right to alter the specifications and product range without prior notice. Dimensions are given as a guide only. Dimensions should not be used for surrounding furniture, fixtures and fittings until the product is on site.