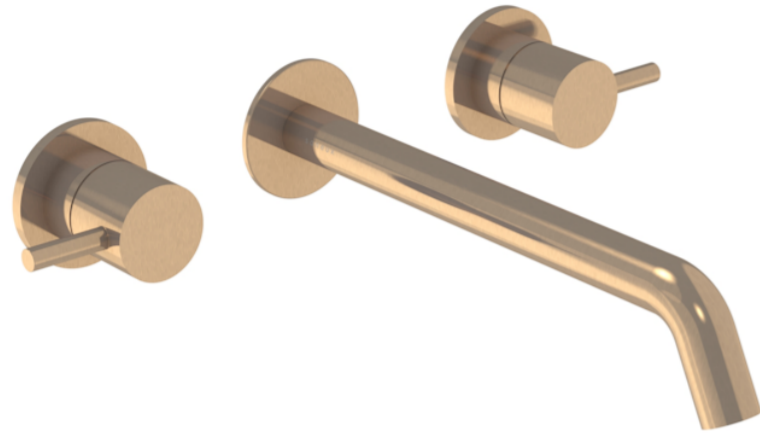


# COS 3 TAP HOLE WALL MOUNTED KIT - W/ LONG SPOUT (220MM) W/ CLASSIC HANDLE - BRUSHED BRONZE (PVD)



**Product Code:** CO304L.BR

---

## PRODUCT INFORMATION

|                              |   |
|------------------------------|---|
| <b>Height:</b>               | 64mm  |
| <b>Width:</b>                | 295mm   |
| <b>Depth:</b>                | 233mm   |
| <b>Finish:</b>               | Brushed Bronze (PVD)                                  |
| <b>Product Type:</b>         | 3 Piece Basin Mixer Tap, Wall Mounted Basin Mixer Tap |
| <b>Material</b>              | Brass   |
| <b>Waste</b>                 | Not included, purchase separately                     |
| <b>Guarantee</b>             | 5 years   |
| <b>Spout Projection (mm)</b> | 223   |

---

## DESCRIPTION

The new Cos basin mixer collection showcases a sleek, streamlined body with an intricately designed spout. It offers three distinct handle options—Classic, Knurled, and Fluted—each available in five stunning finishes: Chrome, Brushed Brass, Brushed Bronze, Brushed Nickel, and Satin Black.

The colored finishes utilize a PVD coating, ensuring superior quality and long-lasting durability.

This wall-mounted basin mixer is available with short, standard, and long spouts, and is designed for use with a basin that has a 0 tap hole or a sit-on basin.

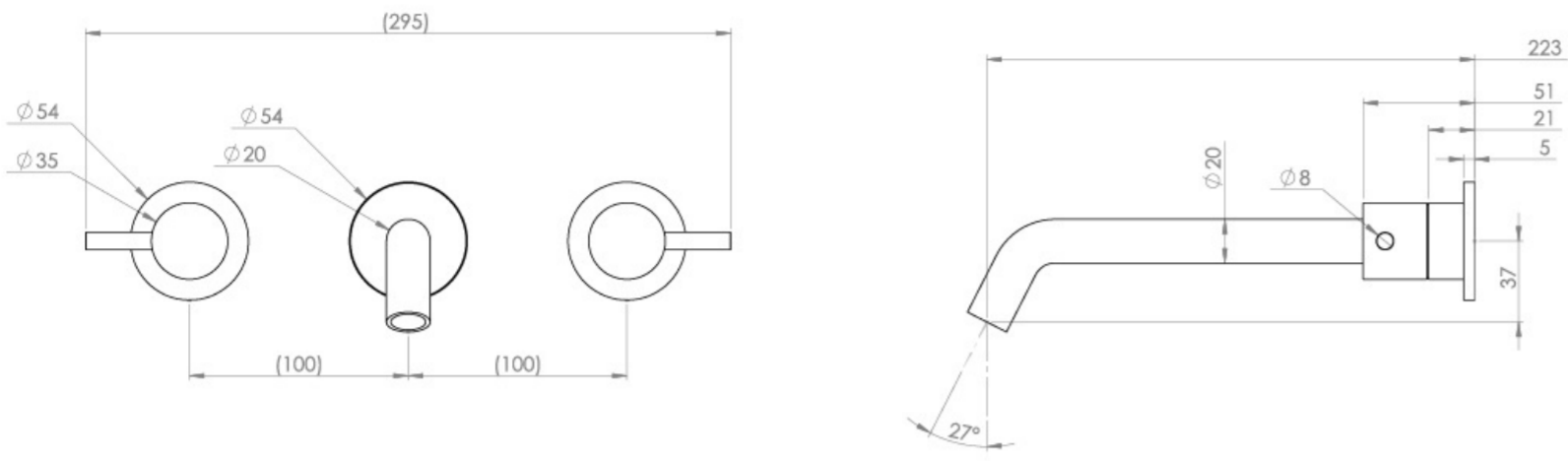
Waste to be purchased separately.

---

# TECHNICAL DRAWING

# FLOW RATE

- 1 Bar - Flowrate: 4.35 l/min
- 2 Bar - Flowrate: 4.35 l/min
- 3 Bar - Flowrate: 4.5 l/min
- 5 Bar - Flowrate: 4.75 l/min



Saneux reserves the right to alter the specifications and product range without prior notice. Dimensions are given as a guide only. Dimensions should not be used for surrounding furniture, fixtures and fittings until the product is on site.

<https://saneux.com/products/cos-3-tap-hole-wall-mounted-kit-w-long-spout-220mm-w-classic-handle-brushed-bronze-pvd>