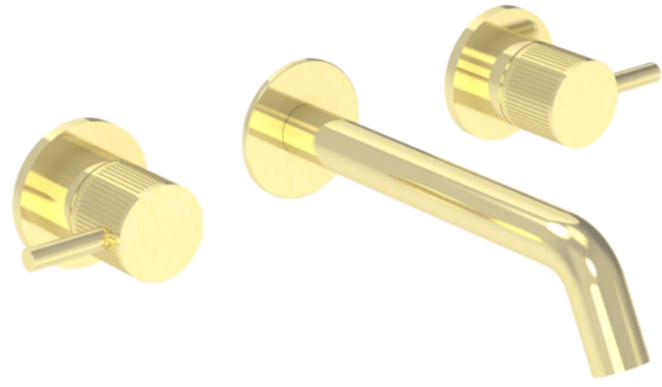


COS 3 TAP HOLE WALL MOUNTED KIT - W/ CLASSIC SPOUT (170MM) W/ FLUTED HANDLE - BRUSHED BRASS (PVD)



Product Code: CO304.FBB

PRODUCT INFORMATION

Height:	64mm
Width:	295mm
Depth:	183mm
Finish:	Brushed Brass (PVD)
Product Type:	Wall Mounted Basin Mixer Tap, 3 Piece Basin Mixer Tap
Material	Brass
Waste	Not included, purchase separately
Guarantee	5 years
Spout Projection (mm)	173

DESCRIPTION

The new Cos basin mixer collection showcases a sleek, streamlined body with an intricately designed spout. It offers three distinct handle options—Classic, Knurled, and Fluted—each available in five stunning finishes: Chrome, Brushed Brass, Brushed Bronze, Brushed Nickel, and Satin Black.

The colored finishes utilize a PVD coating, ensuring superior quality and long-lasting durability.

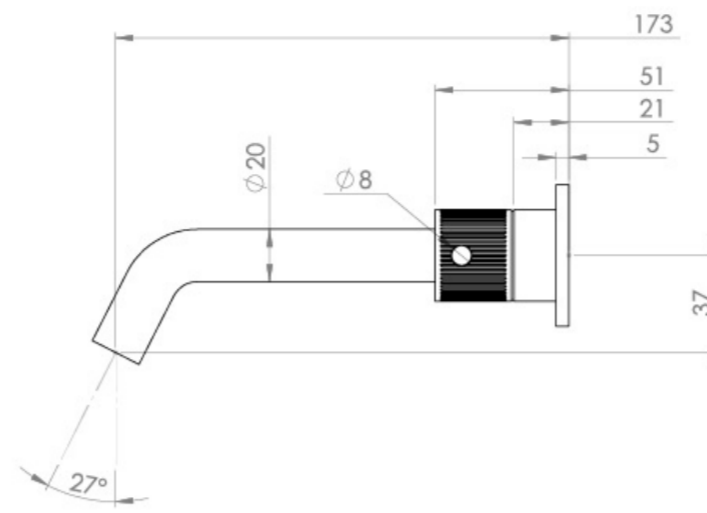
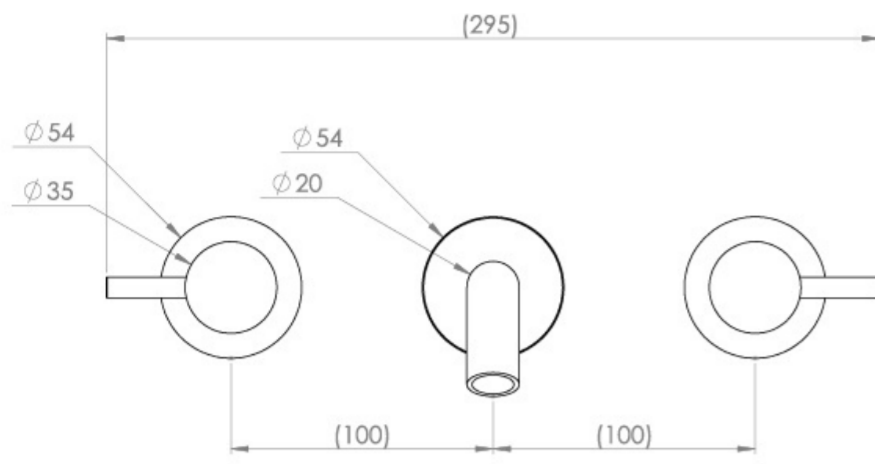
This wall-mounted basin mixer is available with short, standard, and long spouts, and is designed for use with a basin that has a 0 tap hole or a sit-on basin.

Waste to be purchased separately.

TECHNICAL DRAWING

FLOW RATE

- 1 Bar - Flowrate: 4.35 l/min
- 2 Bar - Flowrate: 4.35 l/min
- 3 Bar - Flowrate: 4.5 l/min
- 5 Bar - Flowrate: 4.75 l/min



Saneux reserves the right to alter the specifications and product range without prior notice. Dimensions are given as a guide only. Dimensions should not be used for surrounding furniture, fixtures and fittings until the product is on site.

<https://saneux.com/products/cos-3-tap-hole-wall-mounted-kit-w-classic-spout-170mm-w-fluted-handle-brushed-brass-pvd>