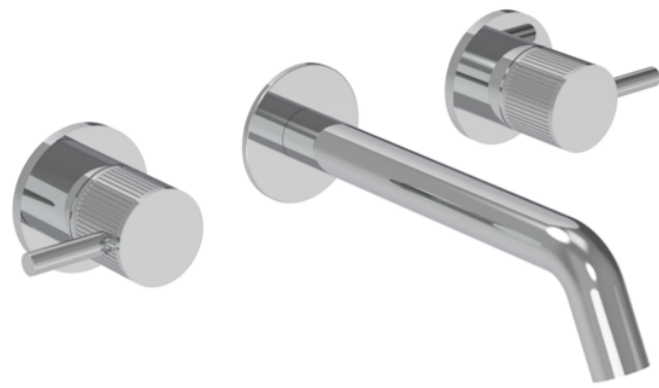


COS 3 TAP HOLE WALL MOUNTED KIT - W/ CLASSIC SPOUT (170MM) W/ FLUTED HANDLE - CHROME

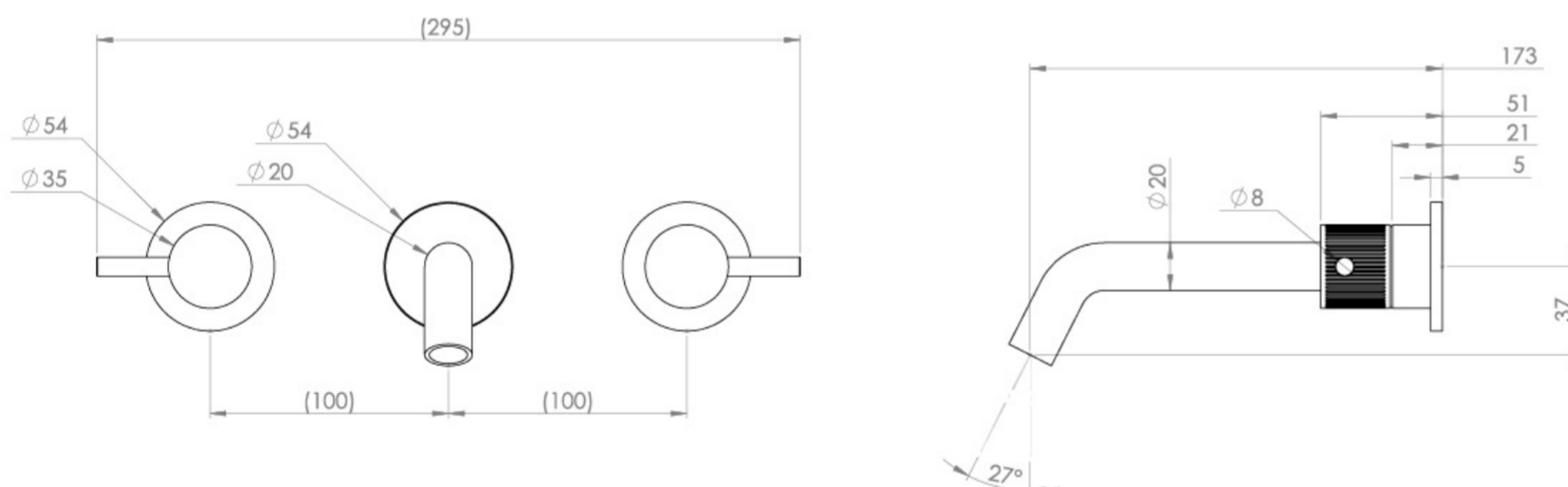


PRODUCT INFORMATION

Finish:	Chrome
Material	Brass
Waste	Not included, purchase separately
Guarantee	5 years
Spout Projection (mm)	173

Product Code: CO304.F

TECHNICAL DRAWING



Saneux reserves the right to alter the specifications and product range without prior notice. Dimensions are given as a guide only. Dimensions should not be used for surrounding furniture, fixtures and fittings until the product is on site.

<https://saneux.com/products/cos-3-tap-hole-wall-mounted-kit-w-classic-spout-170mm-w-fluted-handle-chrome>