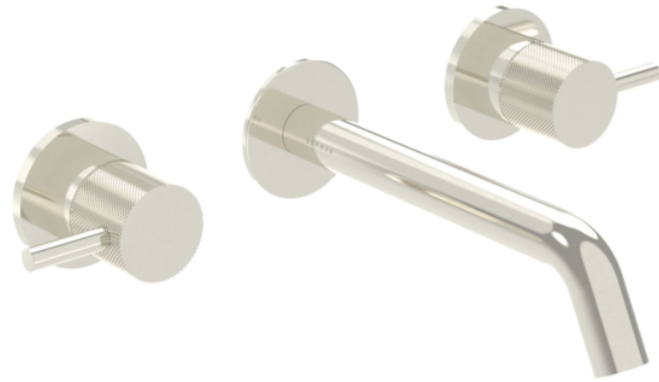


# COS 3 TAP HOLE WALL MOUNTED KIT - W/ CLASSIC SPOUT (170MM) W/ KNURLED HANDLE - BRUSHED NICKEL (PVD)



**Product Code:** CO304.KBN

---

## PRODUCT INFORMATION

<b>Height:</b>	64mm
<b>Width:</b>	295mm
<b>Depth:</b>	183mm
<b>Finish:</b>	Brushed Nickel (PVD)
<b>Product Type:</b>	3 Piece Basin Mixer Tap, Wall Mounted Basin Mixer Tap
<b>Material</b>	Brass
<b>Waste</b>	Not included, purchase separately
<b>Guarantee</b>	5 years
<b>Spout Projection (mm)</b>	173

---

## DESCRIPTION

The new Cos basin mixer collection showcases a sleek, streamlined body with an intricately designed spout. It offers three distinct handle options—Classic, Knurled, and Fluted—each available in five stunning finishes: Chrome, Brushed Brass, Brushed Bronze, Brushed Nickel, and Satin Black.

The colored finishes utilize a PVD coating, ensuring superior quality and long-lasting durability.

This wall-mounted basin mixer is available with short, standard, and long spouts, and is designed for use with a basin that has a 0 tap hole or a sit-on basin.

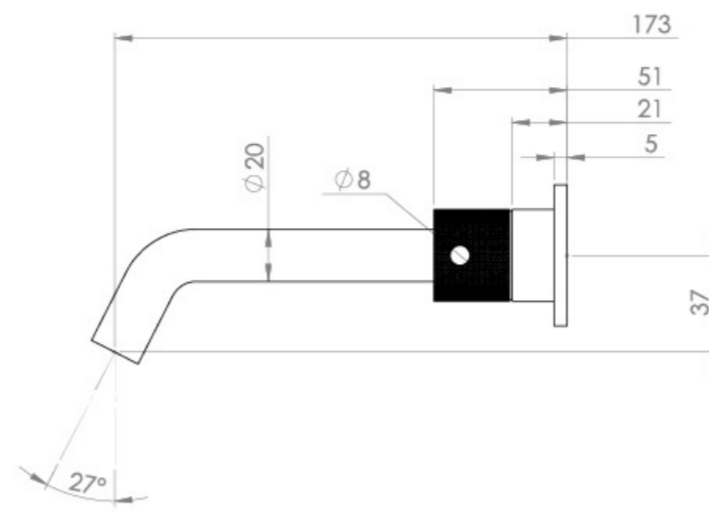
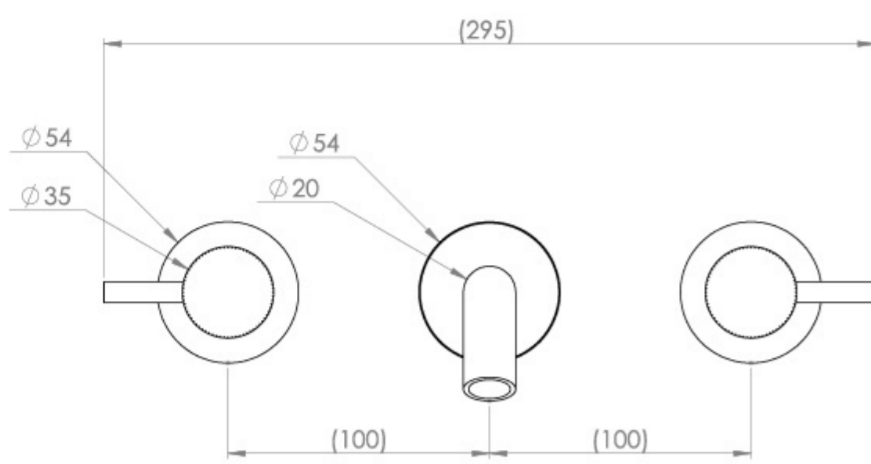
Waste to be purchased separately.

---

## TECHNICAL DRAWING

## FLOW RATE

- 1 Bar - Flowrate: 4.35 l/min
- 2 Bar - Flowrate: 4.35 l/min
- 3 Bar - Flowrate: 4.5 l/min
- 5 Bar - Flowrate: 4.75 l/min



Saneux reserves the right to alter the specifications and product range without prior notice. Dimensions are given as a guide only. Dimensions should not be used for surrounding furniture, fixtures and fittings until the product is on site.

<https://saneux.com/products/cos-3-tap-hole-wall-mounted-kit-w-classic-spout-170mm-w-knurled-handle-brushed-nickel-pvd>