

# COS 3 TAP HOLE DECK MOUNTED KIT - W/ FLUTED HANDLE - BRUSHED BRASS (PVD)



**Product Code:** CO303.FBB

## PRODUCT INFORMATION

<b>Height:</b>	218mm
<b>Width:</b>	295mm
<b>Depth:</b>	169mm
<b>Finish:</b>	Brushed Brass (PVD)
<b>Product Type:</b>	Deck Mounted Basin Mixer Tap, 3 Piece Basin Mixer Tap
<b>Material</b>	Brass
<b>Waste</b>	Not included, purchase separately
<b>Guarantee</b>	5 years
<b>Spout Projection (mm)</b>	132

## DESCRIPTION

The new Cos basin mixer collection showcases a sleek, streamlined body with an intricately designed spout. It offers three distinct handle options—Classic, Knurled, and Fluted—each available in five stunning finishes: Chrome, Brushed Brass, Brushed Bronze, Brushed Nickel, and Satin Black.

The colored finishes utilize a PVD coating, ensuring superior quality and long-lasting durability.

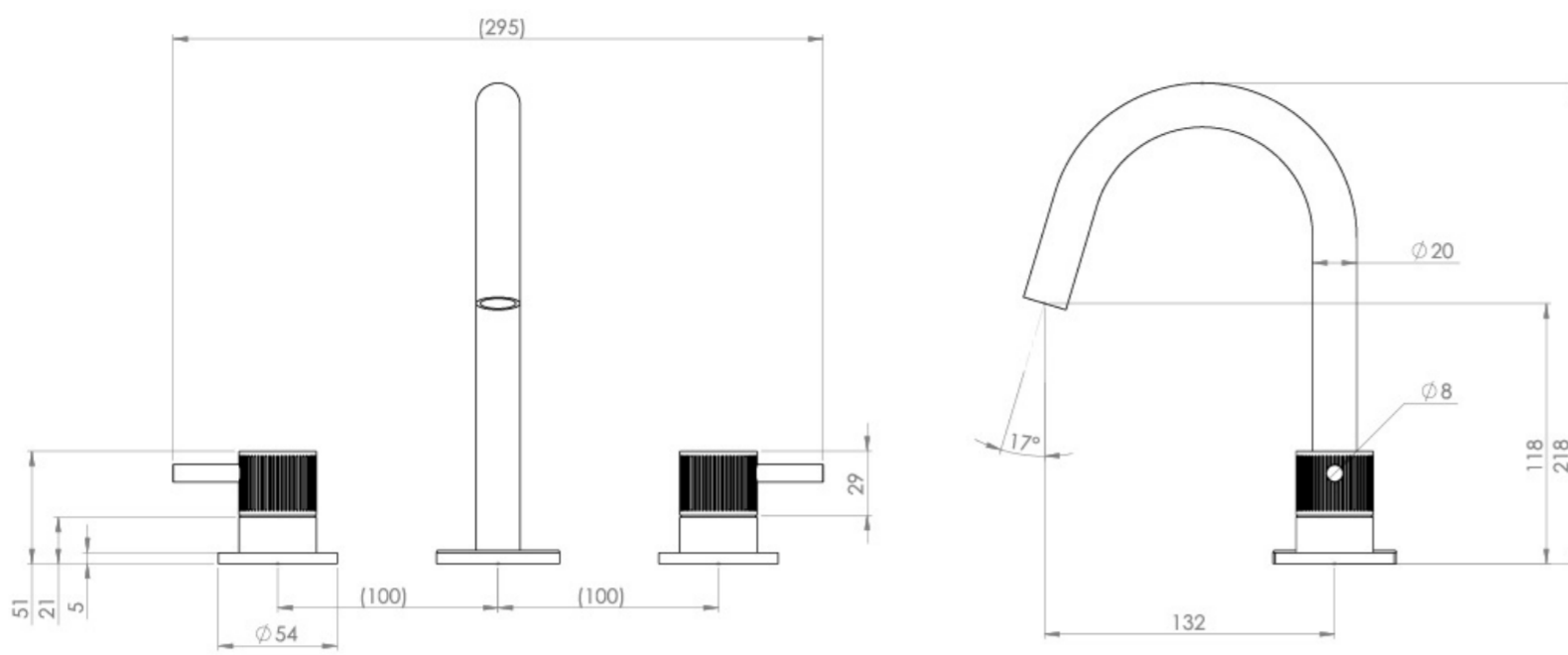
This basin mixer is to be used with a 3 tap hole basin

Waste to be purchased separately.

# TECHNICAL DRAWING

# FLOW RATE

- 1 Bar - Flowrate: 4.25 l/min
- 2 Bar - Flowrate: 4.35 l/min
- 3 Bar - Flowrate: 4.45 l/min
- 5 Bar - Flowrate: 4.69 l/min



---

Saneux reserves the right to alter the specifications and product range without prior notice. Dimensions are given as a guide only. Dimensions should not be used for surrounding furniture, fixtures and fittings until the product is on site.

<https://saneux.com/products/cos-3-tap-hole-deck-mounted-kit-w-fluted-handle-brushed-brass-pvd>