

COS 3 TAP HOLE DECK MOUNTED KIT - W/ KNURLED HANDLE - BRUSHED BRONZE (PVD)



Product Code: CO303.KBR

PRODUCT INFORMATION

| | |
|------------------------------|---|
| Height: | 218mm |
| Width: | 295mm |
| Depth: | 169mm |
| Finish: | Brushed Bronze (PVD) |
| Product Type: | Deck Mounted Basin Mixer Tap, 3 Piece Basin Mixer Tap |
| Material | Brass |
| Waste | Not included, purchase separately |
| Guarantee | 5 years |
| Spout Projection (mm) | 132 |

DESCRIPTION

The new Cos basin mixer collection showcases a sleek, streamlined body with an intricately designed spout. It offers three distinct handle options—Classic, Knurled, and Fluted—each available in five stunning finishes: Chrome, Brushed Brass, Brushed Bronze, Brushed Nickel, and Satin Black.

The colored finishes utilize a PVD coating, ensuring superior quality and long-lasting durability.

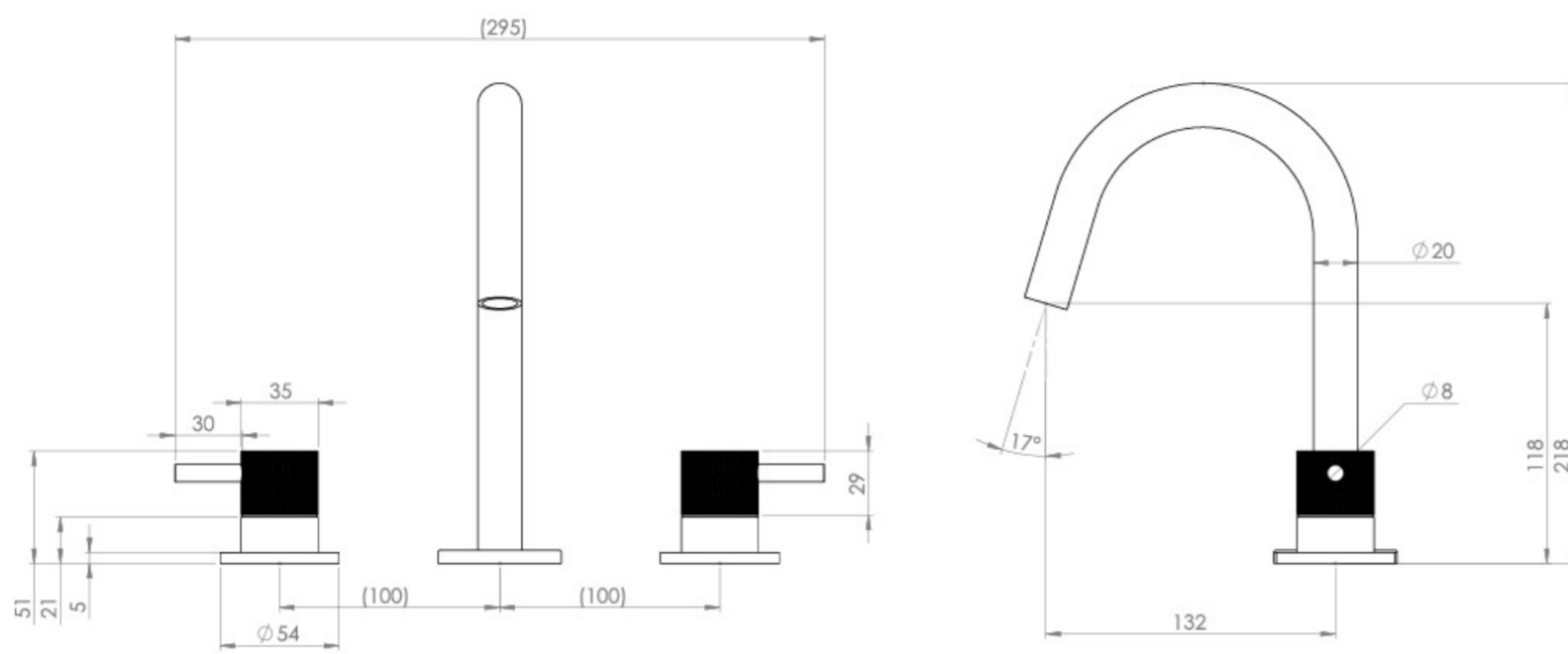
This basin mixer is to be used with a 3 tap hole basin

Waste to be purchased separately.

TECHNICAL DRAWING

FLOW RATE

- 1 Bar - Flowrate: 4.25 l/min
- 2 Bar - Flowrate: 4.35 l/min
- 3 Bar - Flowrate: 4.45 l/min
- 5 Bar - Flowrate: 4.69 l/min



Saneux reserves the right to alter the specifications and product range without prior notice. Dimensions are given as a guide only. Dimensions should not be used for surrounding furniture, fixtures and fittings until the product is on site.

<https://saneux.com/products/cos-3-tap-hole-deck-mounted-kit-w-knurled-handle-brushed-bronze-pvd>