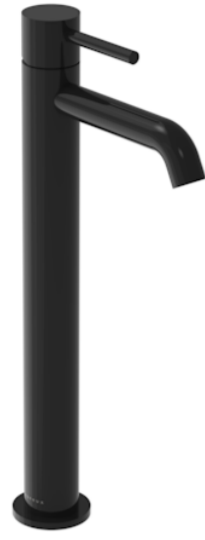


COS TALL BASIN MIXER KIT - W/ CLASSIC HANDLE - SATIN BLACK (PVD)

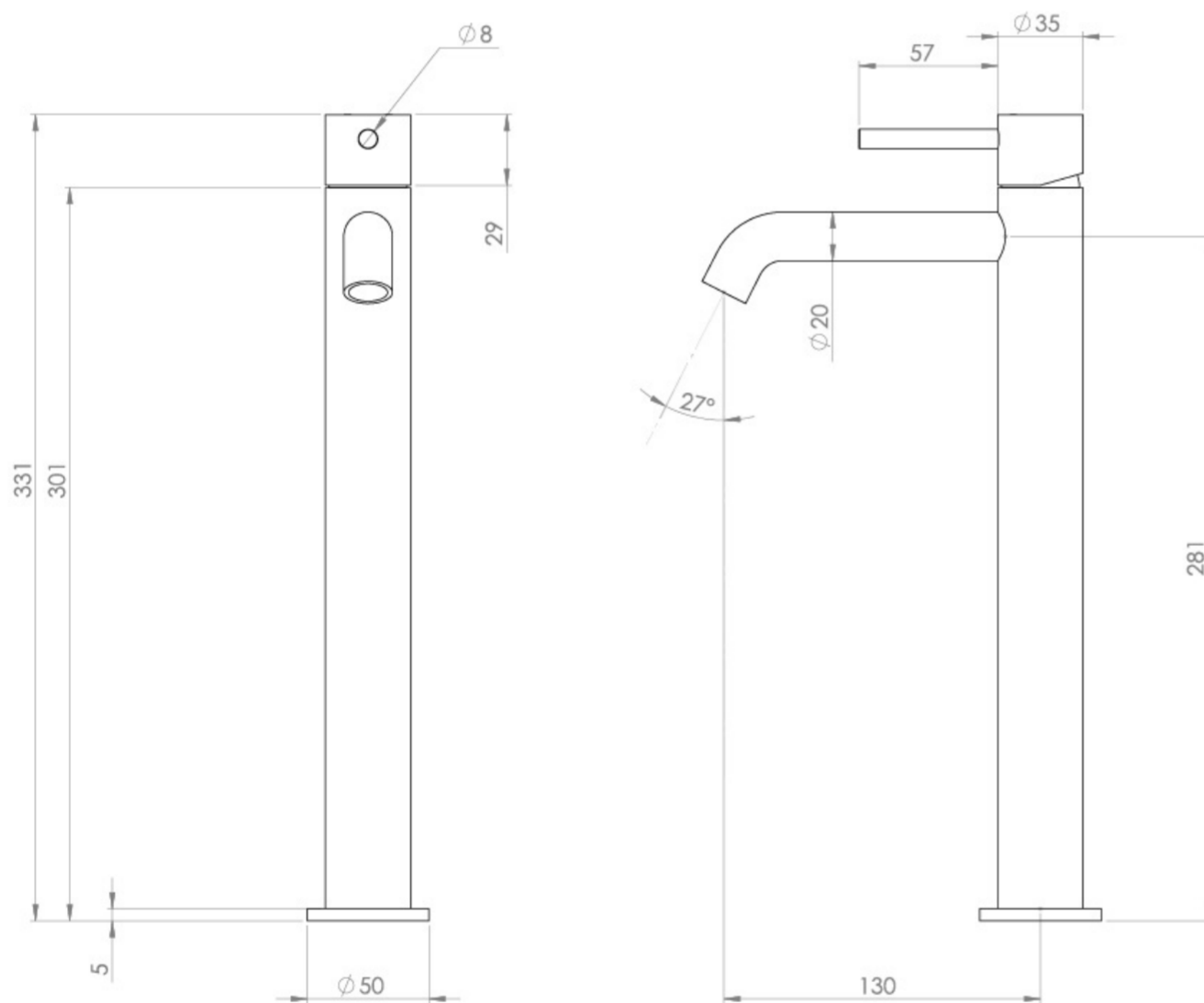


PRODUCT INFORMATION

Finish:	Satin Black (PVD)
Material	Brass
Waste	Not included, purchase separately
Guarantee	5 years
Spout Projection (mm)	130

Product Code: CO302.SB

TECHNICAL DRAWING



Saneux reserves the right to alter the specifications and product range without prior notice. Dimensions are given as a guide only. Dimensions should not be used for surrounding furniture, fixtures and fittings until the product is on site.