

## COS BASIN MIXER KIT - W/ FLUTED HANDLE - BRUSHED BRONZE (PVD)



**Product Code:** CO301.FBR

---

### PRODUCT INFORMATION

<b>Height:</b>	160mm
<b>Width:</b>	50mm
<b>Depth:</b>	148mm
<b>Finish:</b>	Brushed Bronze (PVD)
<b>Product Type:</b>	Deck Mounted Basin Mixer Tap, Single Lever Basin Mixer
<b>Material</b>	Brass
<b>Waste</b>	Not included, purchase separately
<b>Guarantee</b>	5 years
<b>Spout Projection (mm)</b>	130

---

### DESCRIPTION

The new Cos basin mixer collection showcases a sleek, streamlined body with an intricately designed spout. It offers three distinct handle options—Classic, Knurled, and Fluted—each available in five stunning finishes: Chrome, Brushed Brass, Brushed Bronze, Brushed Nickel, and Satin Black.

The coloured finishes employ a PVD coating, guaranteeing superior quality and lasting durability.

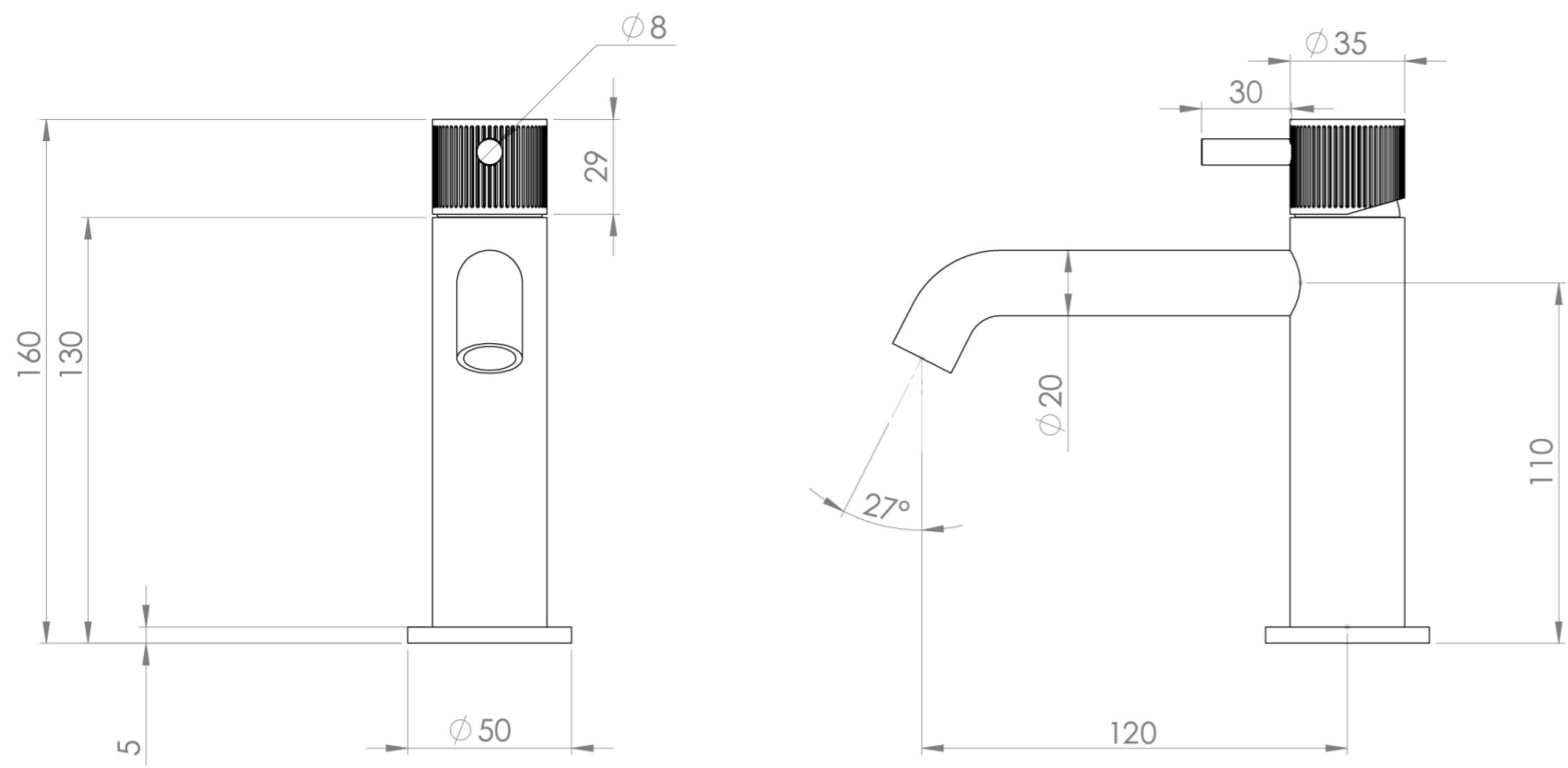
This basin mixer features single-lever operation and includes flow regulators as standard, allowing you to save on water. It comes with a 15-year guarantee, giving you peace of mind that your bathroom taps are designed to stand the test of time.

---

# TECHNICAL DRAWING

# FLOW RATE

- 1 Bar - Flowrate: 3.82 l/min
- 2 Bar - Flowrate: 5.04 l/min
- 3 Bar - Flowrate: 4.64 l/min
- 5 Bar - Flowrate: 4.57 l/min



Saneux reserves the right to alter the specifications and product range without prior notice. Dimensions are given as a guide only. Dimensions should not be used for surrounding furniture, fixtures and fittings until the product is on site.

<https://saneux.com/products/cos-basin-mixer-kit-w-fluted-handle-brushed-bronze-pvd>