

# COS BASIN MIXER KIT - W/ FLUTED HANDLE - SATIN BLACK (PVD)

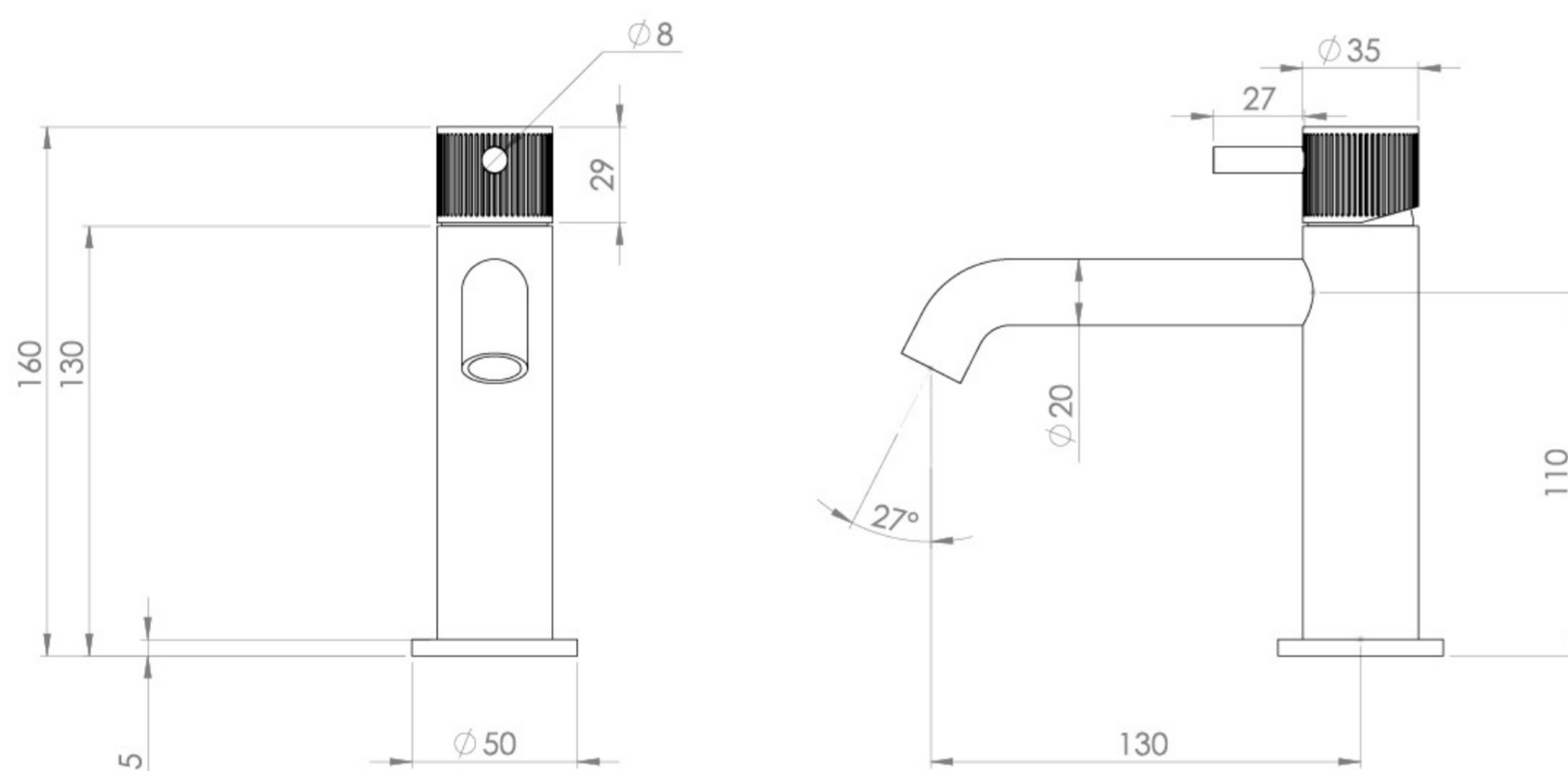


## PRODUCT INFORMATION

|                              |                                   |
|------------------------------|-----------------------------------|
| <b>Finish:</b>               | Satin Black (PVD)                 |
| <b>Material</b>              | Brass                             |
| <b>Waste</b>                 | Not included, purchase separately |
| <b>Guarantee</b>             | 5 years                           |
| <b>Spout Projection (mm)</b> | 130                               |

**Product Code:** CO301.FSB

## TECHNICAL DRAWING



Saneux reserves the right to alter the specifications and product range without prior notice. Dimensions are given as a guide only. Dimensions should not be used for surrounding furniture, fixtures and fittings until the product is on site.