

OVERFLOW COVER - SATIN BLACK (PVD)



PRODUCT INFORMATION

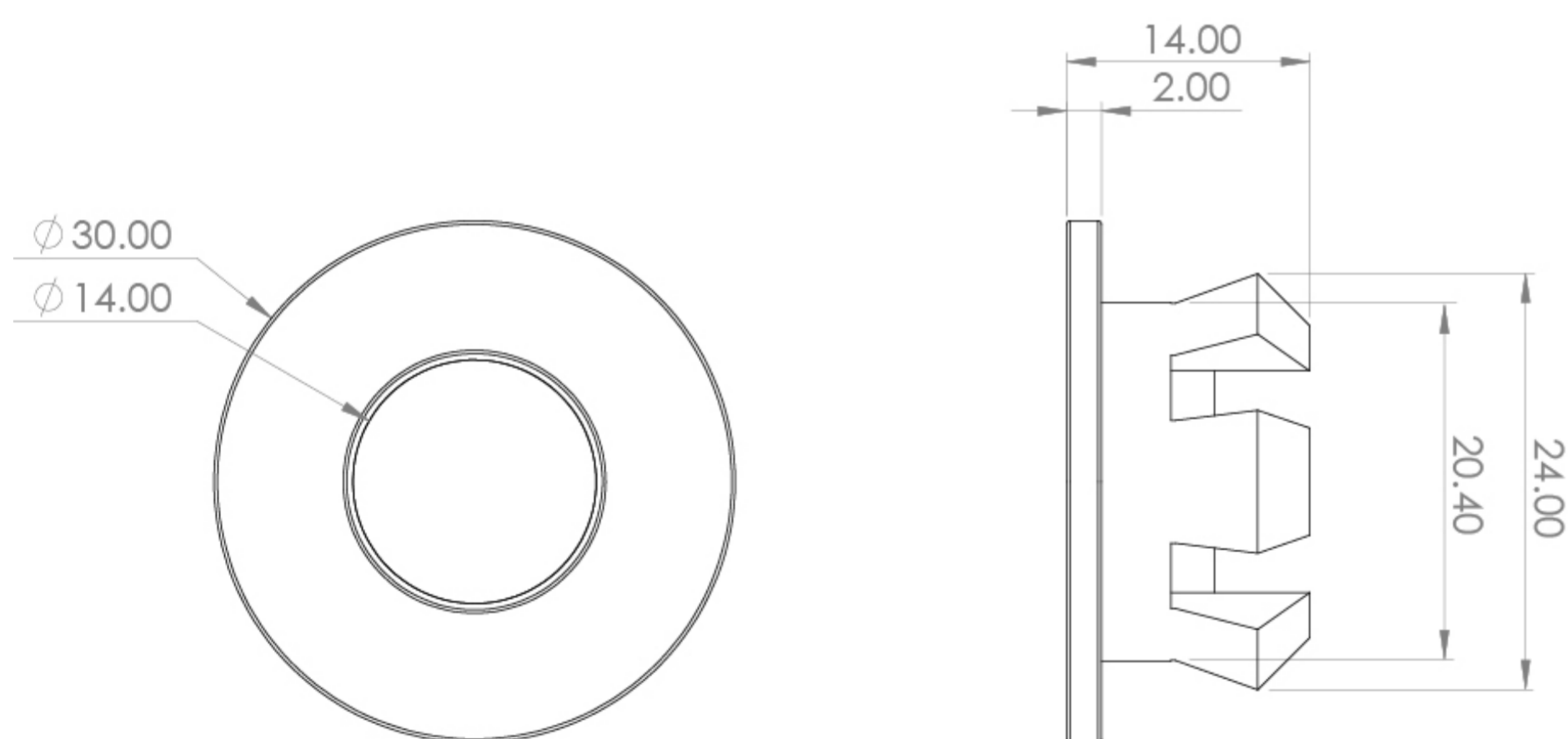
Finish:	Satin Black (PVD)
Height:	30mm
Width:	30mm
Depth:	18mm
Weight	0.2kg
Guarantee	5 years

Product Code: OC001.SB

DESCRIPTION

Ensure your basin's appearance is perfected by pairing an overflow cover that matches your taps and waste.

TECHNICAL DRAWING



Saneux reserves the right to alter the specifications and product range without prior notice. Dimensions are given as a guide only. Dimensions should not be used for surrounding furniture, fixtures and fittings until the product is on site.

<https://saneux.com/products/overflow-cover-satin-black-pvd>