

## EDEN BASIN MIXER - SATIN BLACK

---



**Product Code:** ED001.SB

### PRODUCT INFORMATION

<b>Finish:</b>	Satin Black (PVD)
<b>Height:</b>	218mm
<b>Width:</b>	45mm
<b>Depth:</b>	121mm
<b>Material</b>	Brass
<b>Weight</b>	1.12kg
<b>Compatible Aerator(s)</b>	Cache JR
<b>Waste</b>	Not included, purchase separately
<b>Guarantee</b>	5 years
<b>Spout Projection (mm)</b>	121mm

---

### DESCRIPTION

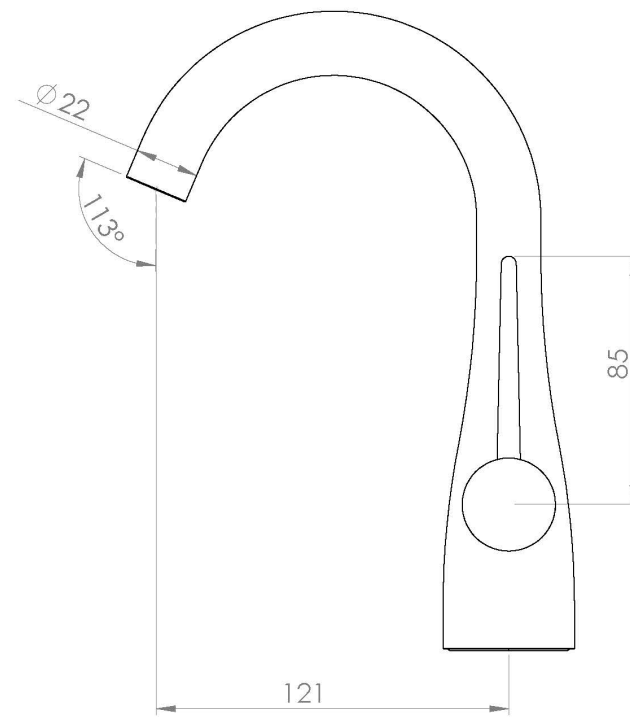
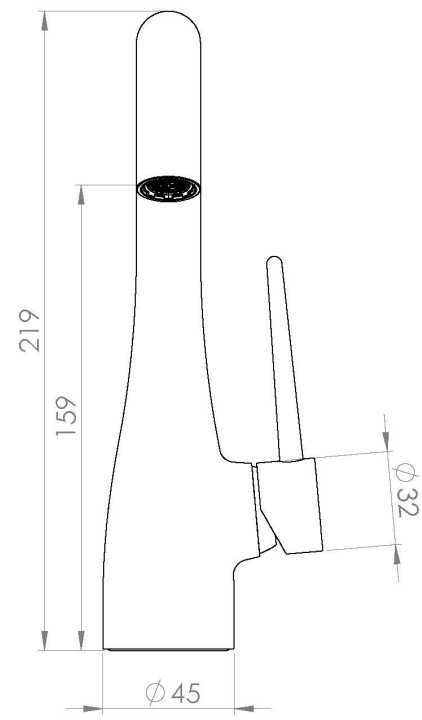
Beautifully curved and organic, the EDEN brassware is a truly unique brassware range.

The single lever basin mixer has a tall and elegant swan-like neck and this is closely replicated through the lever handle to create an all-encompassing sleek and sophisticated look. It also has a swivel spout so that you can change the direction of where the water hits the basin.

The finish is PVD, meaning it is extremely hardwearing and easy to clean.

Waste to be purchased separately.

---



- 0.2 Bar - Flowrate: 2.18 l/min
- 0.5 Bar - Flowrate: 3.69 l/min
- 1 Bar - Flowrate: 5.29 l/min
- 2 Bar - Flowrate: 7.58 l/min
- 3 Bar - Flowrate: 9.47 l/min
- 5 Bar - Flowrate: 12.42 l/min

Saneux reserves the right to alter the specifications and product range without prior notice. Dimensions are given as a guide only. Dimensions should not be used for surrounding furniture, fixtures and fittings until the product is on site.

<https://saneux.com/products/eden-basin-mixer-satin-black>