

EDEN 1 WAY THERMOSTATIC SHOWER VALVE KIT IN PORTRAIT - BRUSHED NICKEL



Product Code: ED019.BN

PRODUCT INFORMATION

Finish:	Brushed Nickel (PVD)
Height:	215mm
Width:	100mm
Depth:	50mm
Material	Zinc, Stainless Steel, Brass
Guarantee	5 years
Outlets	Yes

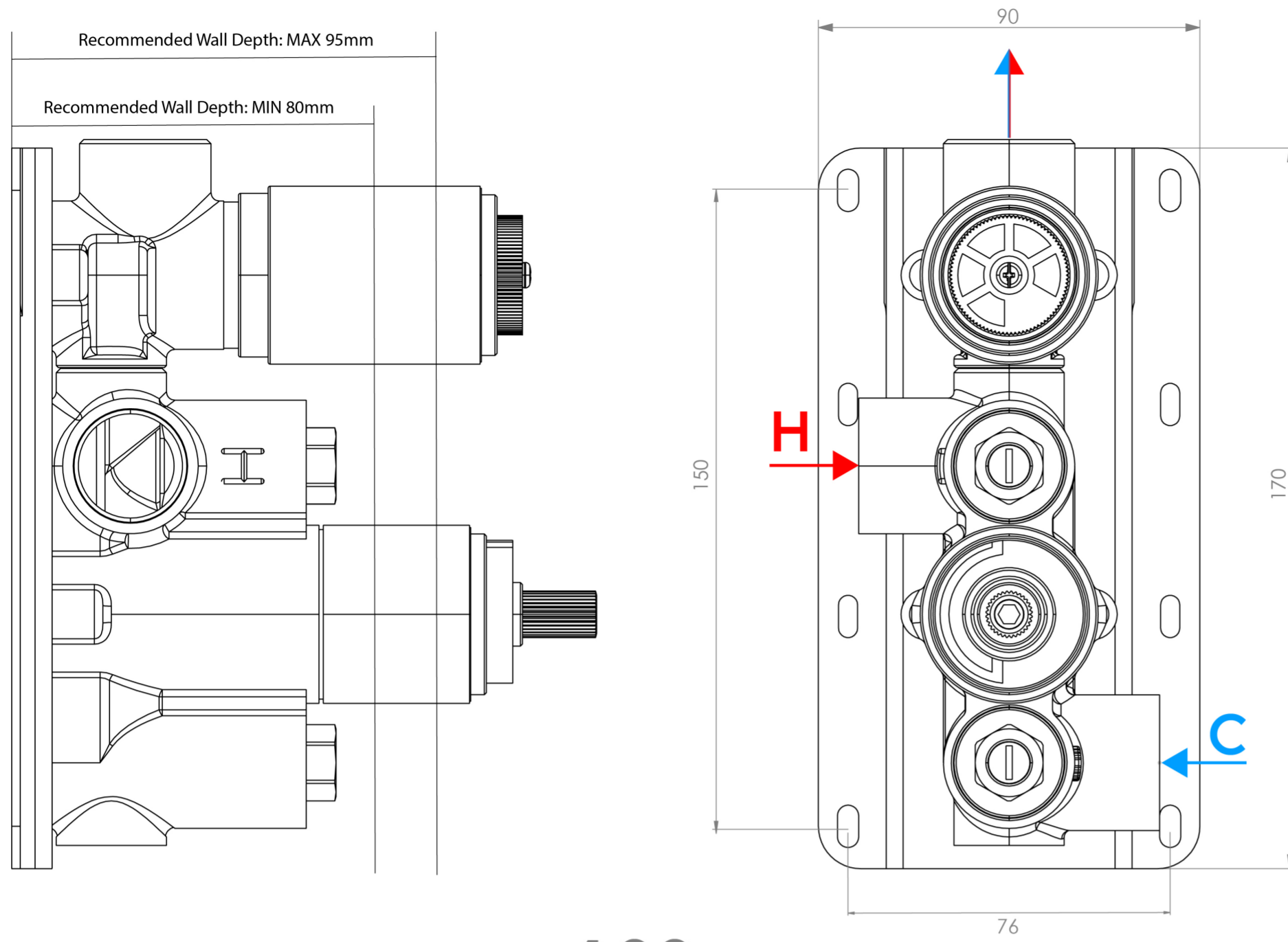
DESCRIPTION

Achieve a premium aesthetic with our Eden shower valve collection with handles that seamlessly match our basin mixers, ensuring a cohesive high-end look and feel. Choose from 1, 2, and 3 outlet options in chrome, brushed brass, and brushed nickel.

This thermostatic valve has 1 outlet which allows it to control either a shower head, a shower handset, or a bath filler. The top handle turns the component on and off, and the bottom handle controls the water temperature.

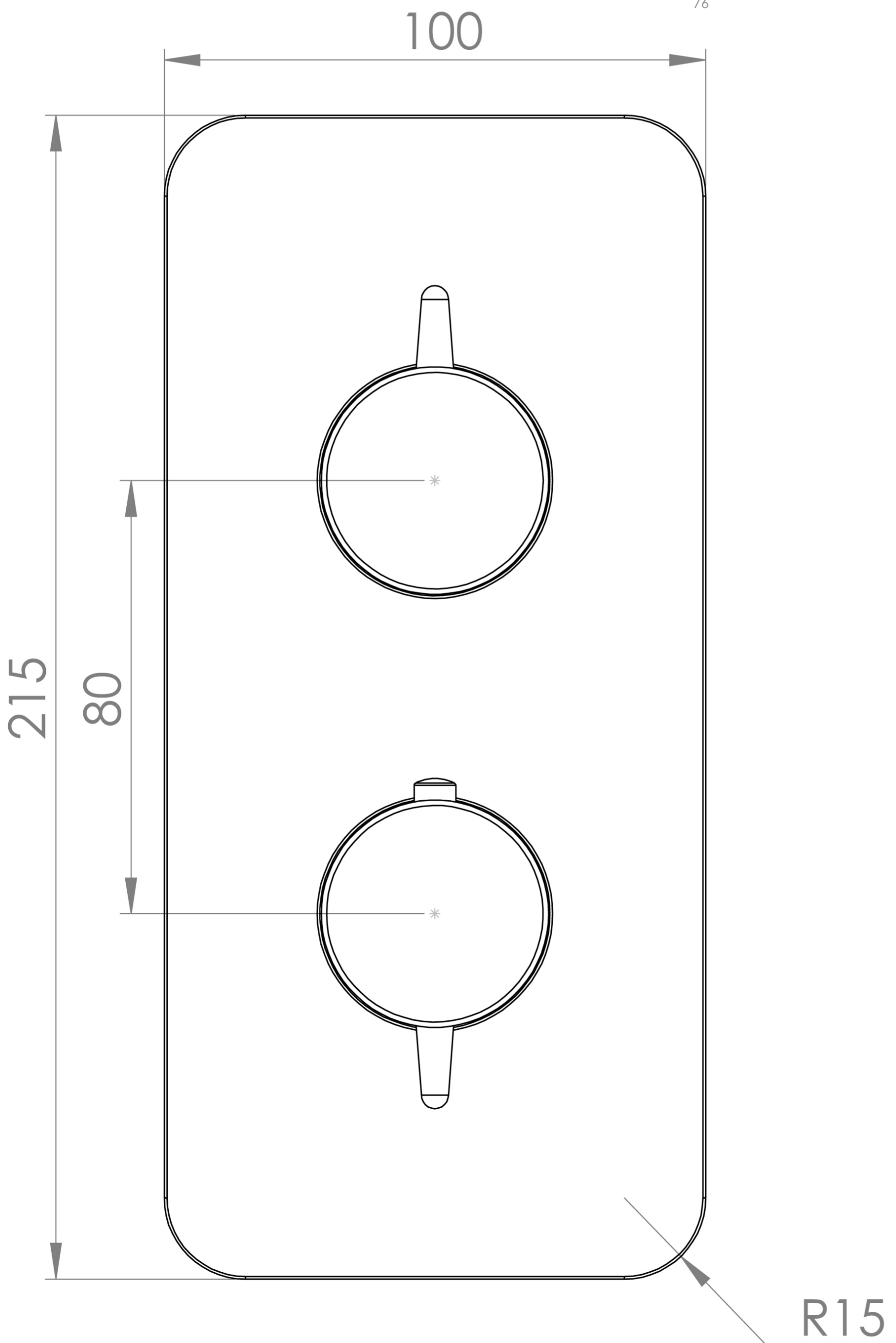
*WRAS Approved valve

TECHNICAL DRAWING



FLOW RATE

- 1 Bar - Flowrate: 16 l/min
- 2 Bar - Flowrate: 22.5 l/min
- 3 Bar - Flowrate: 28.5 l/min



Saneux reserves the right to alter the specifications and product range without prior notice. Dimensions are given as a guide only. Dimensions should not be used for surrounding furniture, fixtures and fittings until the product is on site.

<https://saneux.com/products/eden-1-way-thermostatic-shower-valve-kit-in-portrait-brushed-nickel>