

# EDEN 1 WAY THERMOSTATIC SHOWER VALVE KIT IN LANDSCAPE - BRUSHED NICKEL



**Product Code:** ED019L.BN

## PRODUCT INFORMATION

<b>Finish:</b>	Brushed Nickel (PVD)
<b>Height:</b>	100mm
<b>Width:</b>	215mm
<b>Depth:</b>	50mm
<b>Material</b>	Zinc, Stainless Steel, Brass
<b>Guarantee</b>	5 years
<b>Outlets</b>	Yes

## DESCRIPTION

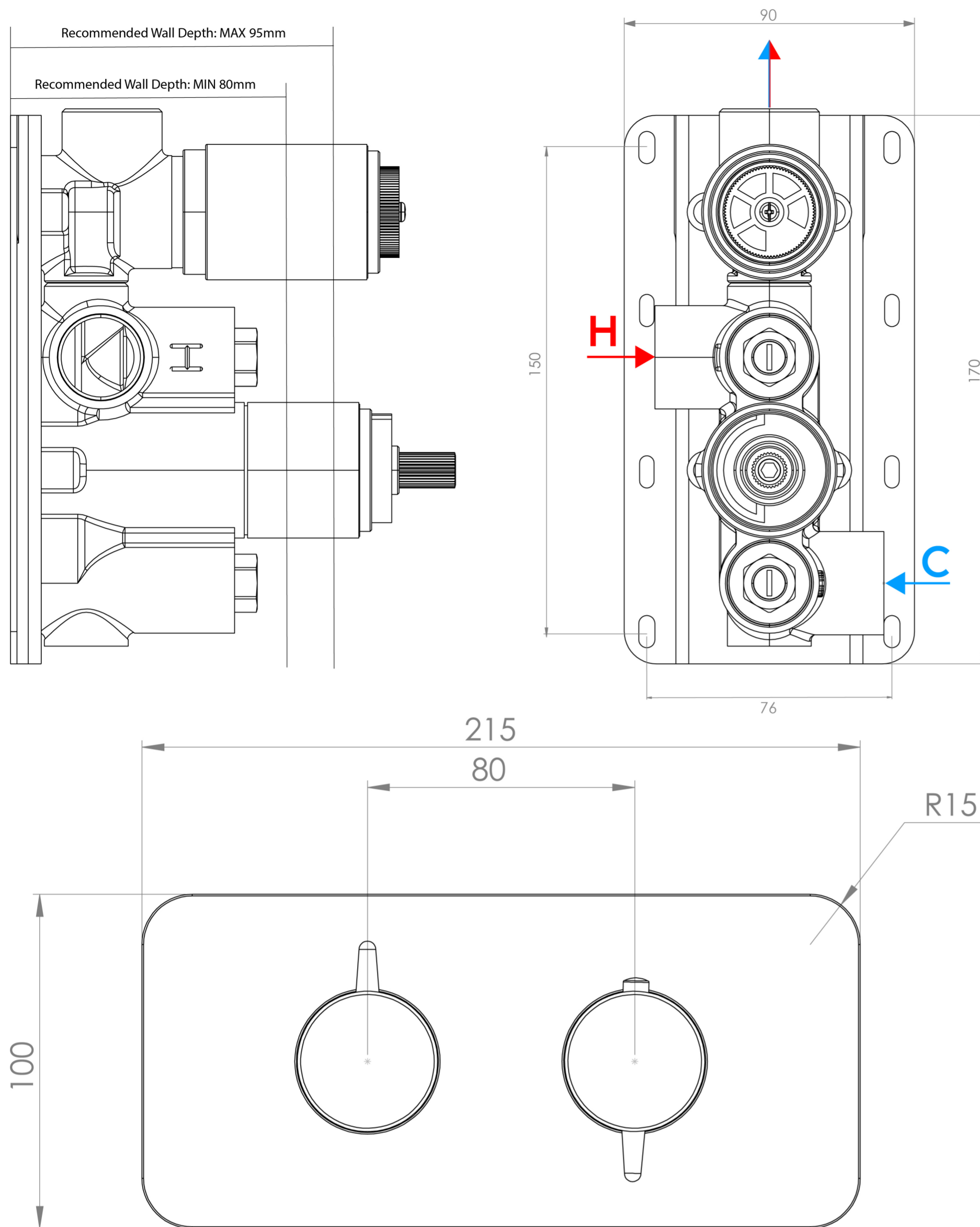
Achieve a premium aesthetic with our Eden shower valve collection with handles that seamlessly match our basin mixers, ensuring a cohesive high-end look and feel. Choose from 1, 2, and 3 outlet options in chrome, brushed brass, and brushed nickel.

This thermostatic valve has 1 outlet which allows it to control either a shower head, a shower handset, or a bath filler. The left handle turns the component on and off, and the right handle controls the water temperature.

\*WRAS Approved valve

# TECHNICAL DRAWING

# FLOW RATE



- 1 Bar - Flowrate: 16 l/min
- 2 Bar - Flowrate: 22.5 l/min
- 3 Bar - Flowrate: 28.5 l/min

Saneux reserves the right to alter the specifications and product range without prior notice. Dimensions are given as a guide only. Dimensions should not be used for surrounding furniture, fixtures and fittings until the product is on site.

<https://saneux.com/products/eden-1-way-thermostatic-shower-valve-kit-in-landscape-brushed-nickel>