

EDEN 3 WAY THERMOSTATIC SHOWER VALVE KIT IN PORTRAIT - BRUSHED BRASS



Product Code: ED021.BB

PRODUCT INFORMATION

Finish:	Brushed Brass (PVD)
Height:	275mm
Width:	100mm
Depth:	50mm
Material	Zinc, Stainless Steel, Brass
Guarantee	5 years
Outlets	3

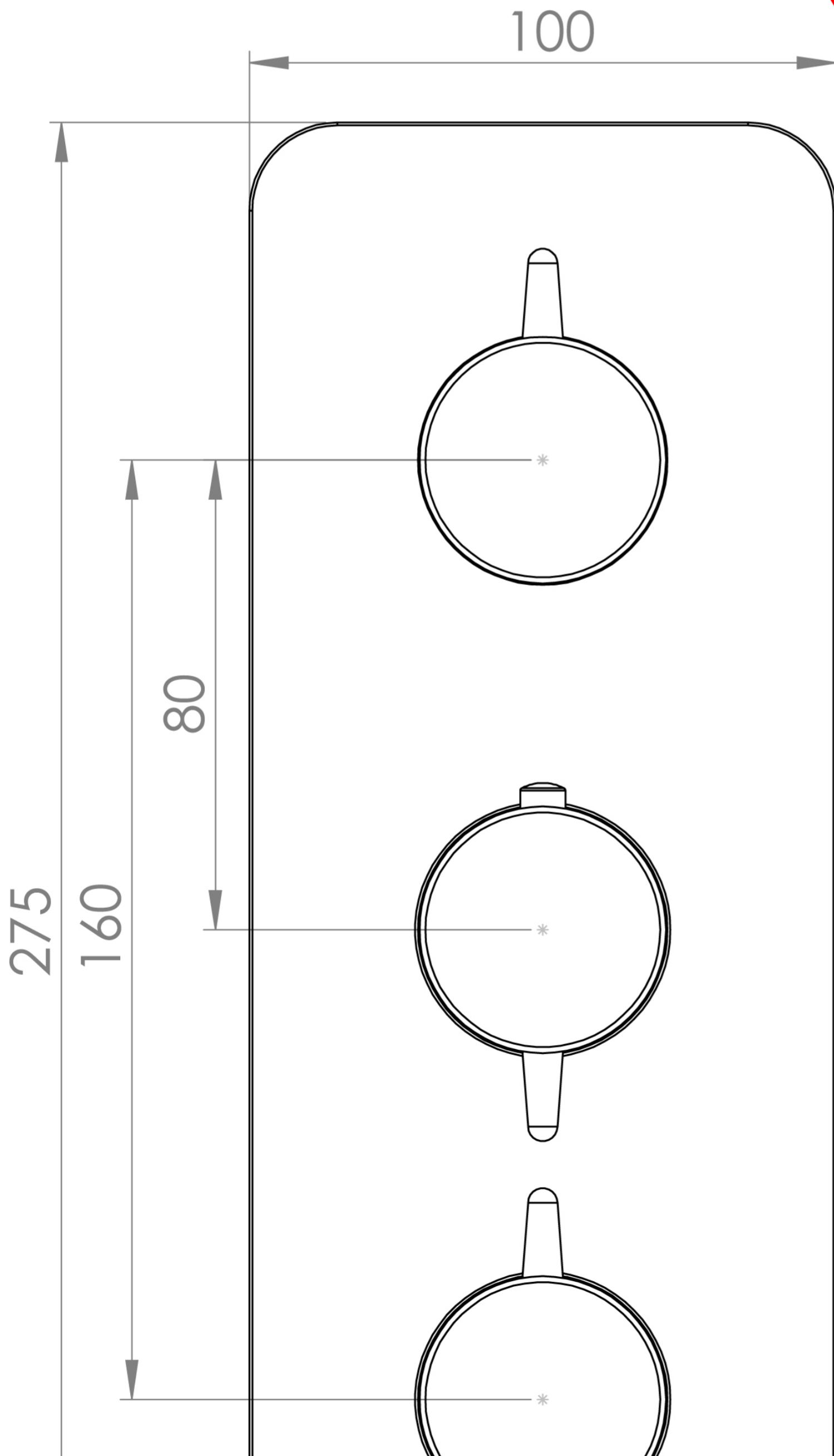
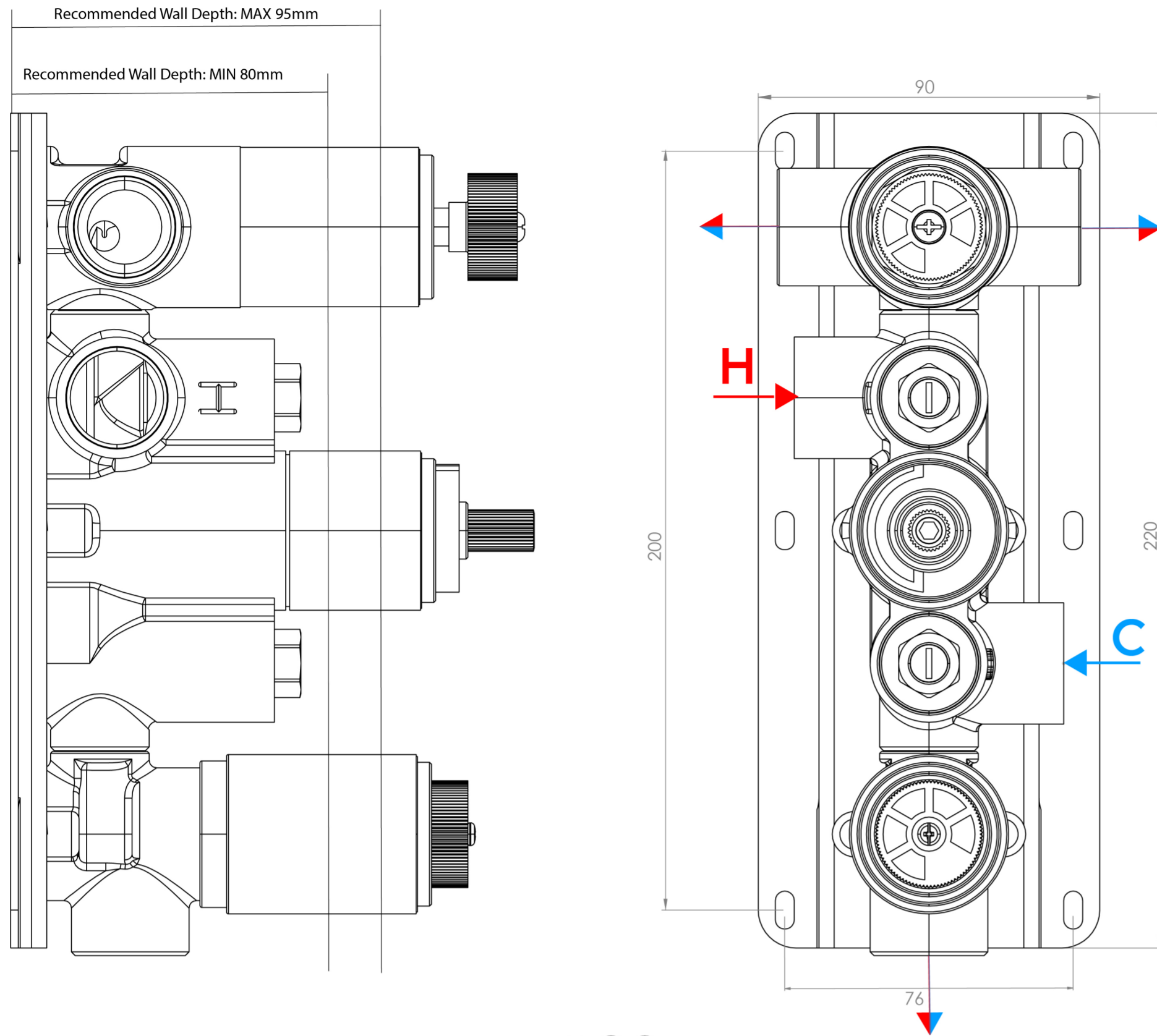
DESCRIPTION

Achieve a premium aesthetic with our Eden shower valve collection with handles that seamlessly match our basin mixers, ensuring a cohesive high-end look and feel. Choose from 1, 2, and 3 outlet options in chrome, brushed brass, and brushed nickel.

This portrait thermostatic valve has 3 outlets which allows it to control a shower head, handset and bath filler. The top and bottom handles control the on/off function of the components, whilst the middle handle controls the water temperature.

*WRAS Approved valve

TECHNICAL DRAWING



FLOW RATE

- 1 Bar - Flowrate: 16 l/min
- 2 Bar - Flowrate: 22.5 l/min
- 3 Bar - Flowrate: 28.5 l/min

Saneux reserves the right to alter the specifications and product range without prior notice. Dimensions are given as a guide only. Dimensions should not be used for surrounding furniture, fixtures and fittings until the product is on site.

<https://saneux.com/products/eden-3-way-thermostatic-shower-valve-kit-in-portrait-brushed-brass>