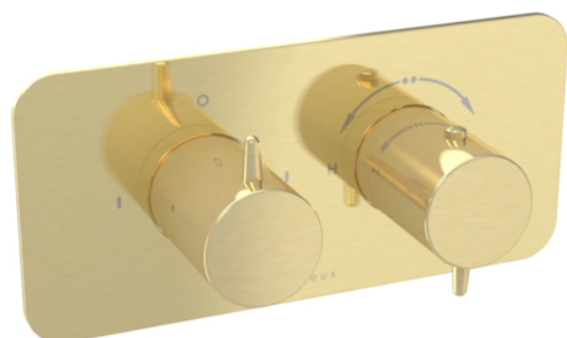


EDEN 2 WAY THERMOSTATIC SHOWER VALVE KIT IN LANDSCAPE - BRUSHED BRASS



Product Code: ED020L.BB

PRODUCT INFORMATION

Finish:	Brushed Brass (PVD)
Height:	100mm
Width:	215mm
Depth:	50mm
Material	Zinc, Stainless Steel, Brass
Guarantee	5 years
Outlets	2

DESCRIPTION

Achieve a premium aesthetic with our Eden shower valve collection with handles that seamlessly match our basin mixers, ensuring a cohesive high-end look and feel. Choose from 1, 2, and 3 outlet options in chrome, brushed brass, and brushed nickel.

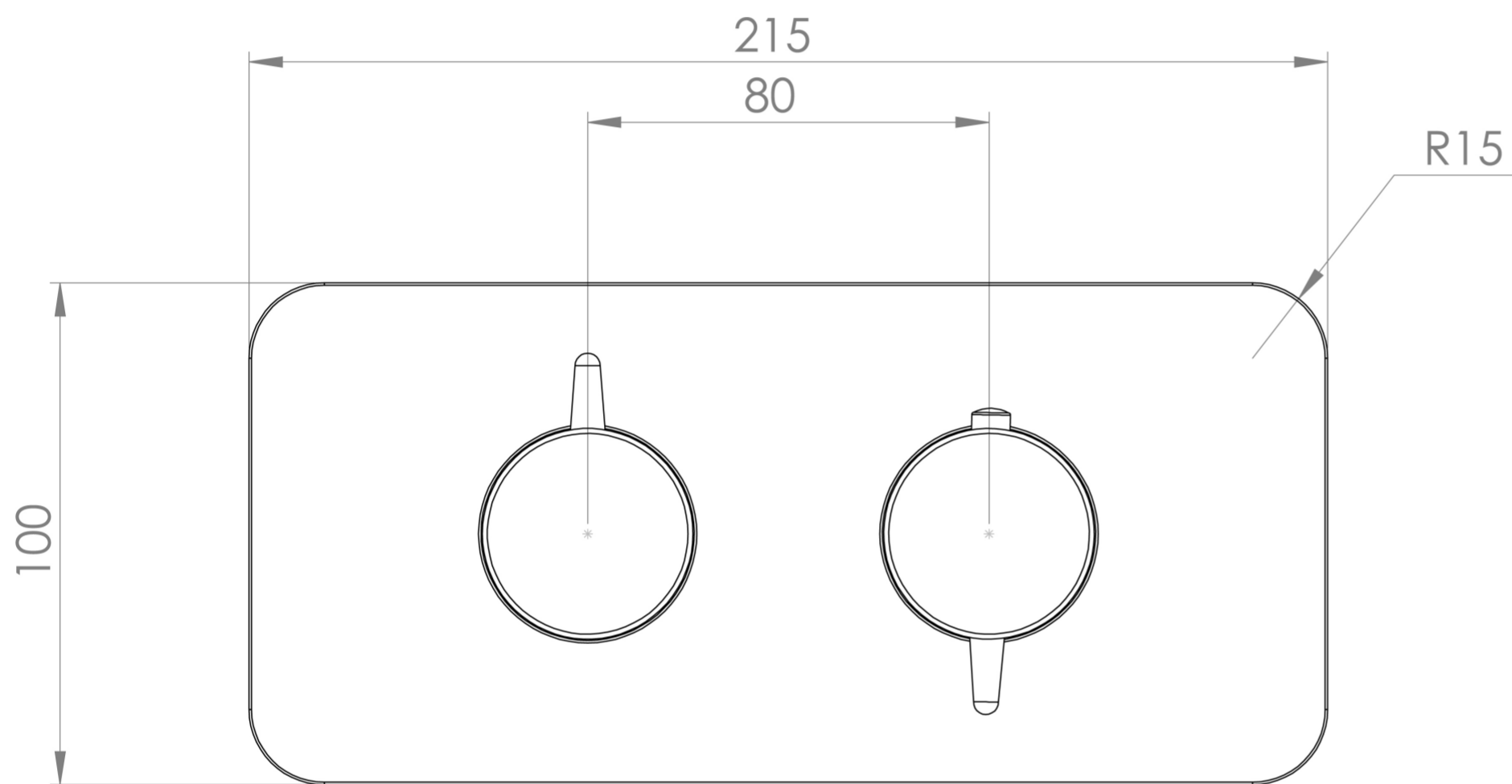
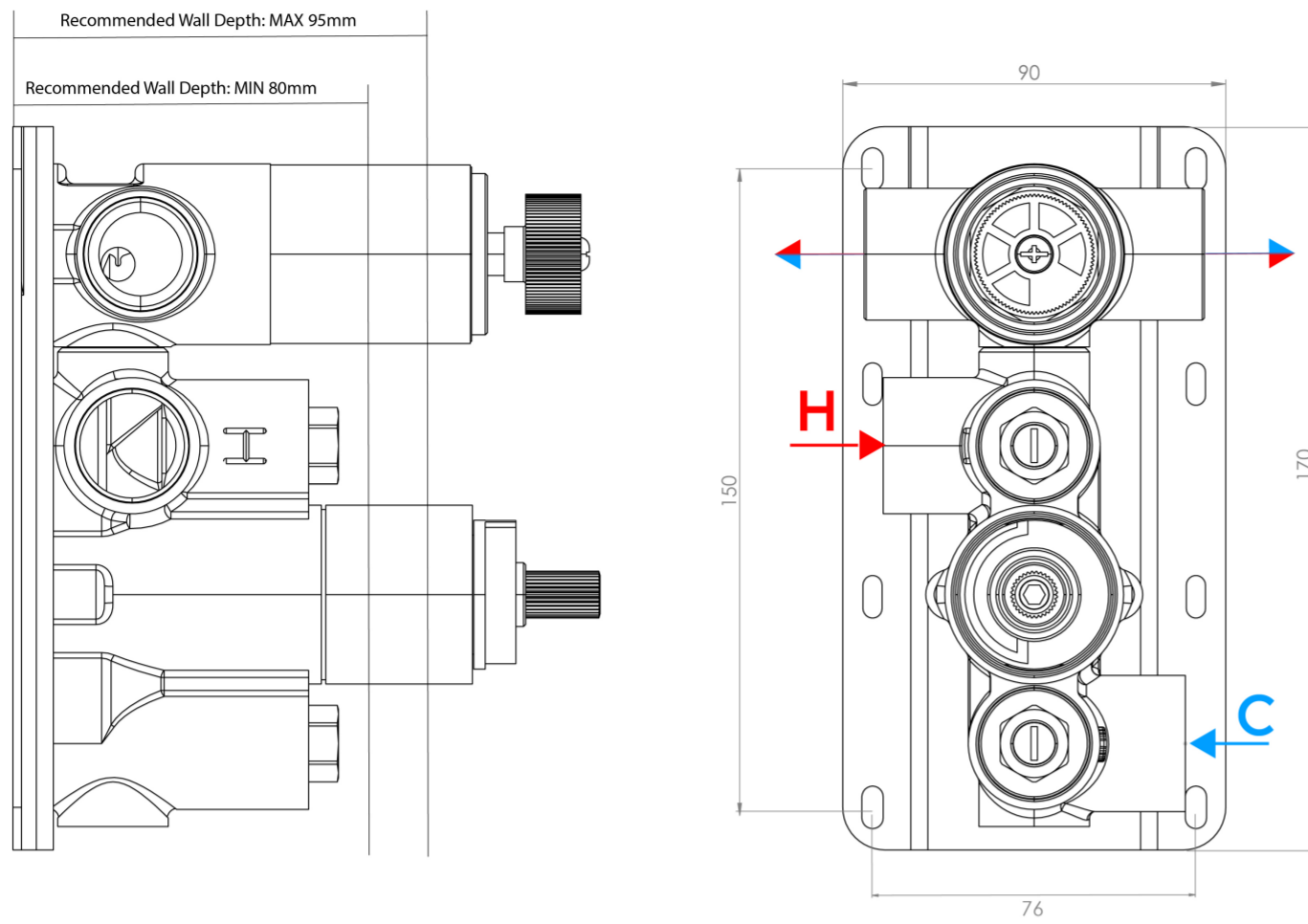
This thermostatic valve has 2 outlets which allows it to control a shower head and handset, a handset and bath filler, or a shower head and bath filler. The left handle controls the on/off function of the two components, whilst the right handle controls the water temperature.

*WRAS Approved valve

TECHNICAL DRAWING

FLOW RATE

- 1 Bar - Flowrate: 16 l/min
- 2 Bar - Flowrate: 22.5 l/min
- 3 Bar - Flowrate: 28.5 l/min



Saneux reserves the right to alter the specifications and product range without prior notice. Dimensions are given as a guide only. Dimensions should not be used for surrounding furniture, fixtures and fittings until the product is on site.

<https://saneux.com/products/eden-2-way-thermostatic-shower-valve-kit-in-landscape-brushed-brass>