

COS 3 WAY THERMOSTATIC SHOWER VALVE KIT WITH KNURLED HANDLES - BRUSHED NICKEL



Product Code: CO221.KBN

PRODUCT INFORMATION

Finish:	Brushed Nickel (PVD)
Height:	275mm
Width:	120mm
Depth:	185mm
Material	Brass
Weight	4.39kg
Approvals/Standards	WRAS
Guarantee	5 years
Outlets	3

DESCRIPTION

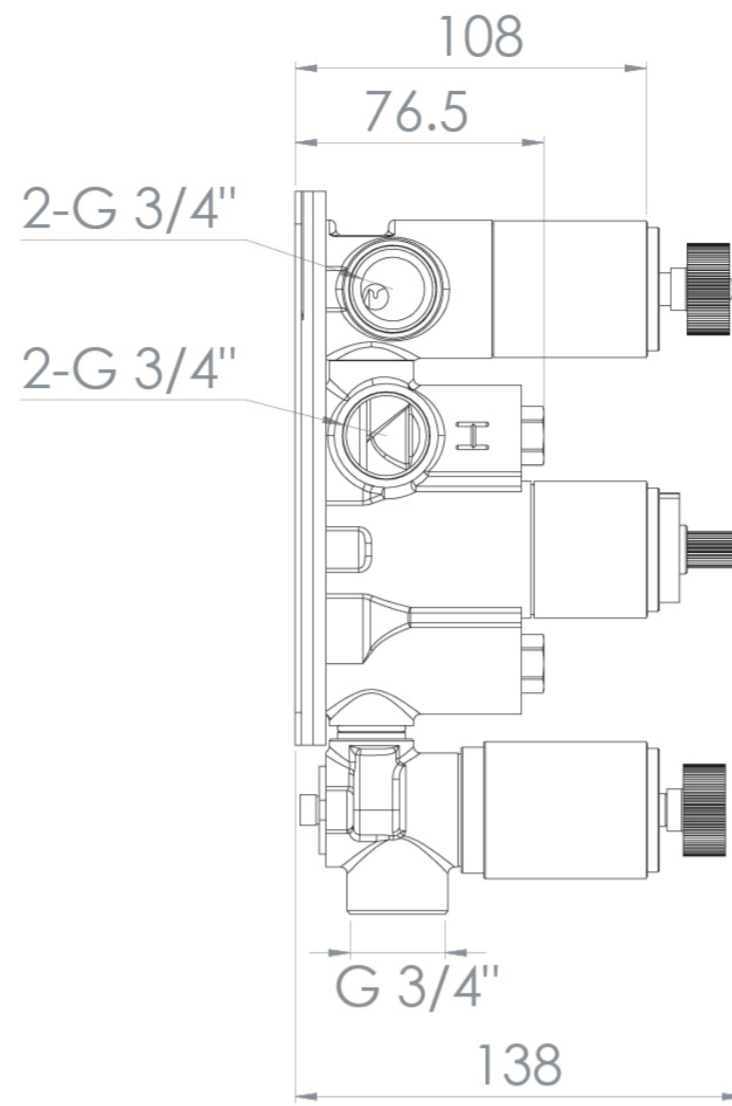
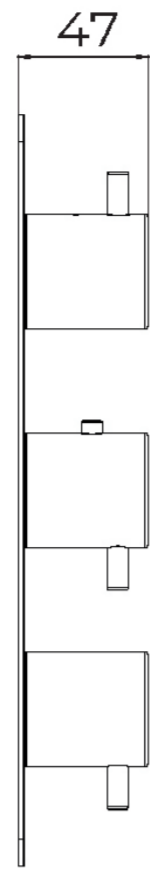
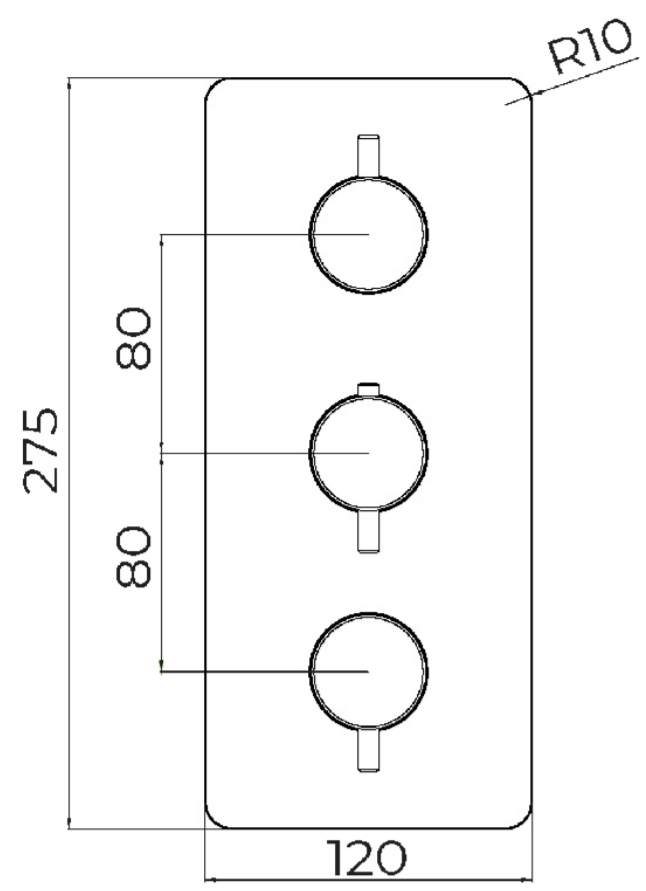
The COS collection was designed to create brassware that was both modern and classic to suit any style of bathroom.

This COS 3 way thermostatic shower valve in this stunning brushed nickel finish and with knurled handles will instantly add a luxurious and modern touch to your shower and bathroom as a whole.

This portrait thermostatic valve has 3 outlets which allows it to control a shower head, handset and bath filler. The top and bottom handles control the on/off function of the components, whilst the middle handle controls the water temperature.

*WRAS Approved valve

TECHNICAL DRAWING



FLOW RATE

- 1 Bar - Flowrate: 16 l/min
- 2 Bar - Flowrate: 22.5 l/min
- 3 Bar - Flowrate: 28.5 l/min

Saneux reserves the right to alter the specifications and product range without prior notice. Dimensions are given as a guide only. Dimensions should not be used for surrounding furniture, fixtures and fittings until the product is on site.

<https://saneux.com/products/cos-3-way-thermostatic-shower-valve-kit-with-knurled-handles-brushed-nickel>