

## COS WALL MOUNTED 2 PLATE BASIN MIXER WITH KNURLED HANDLE - BRUSHED NICKEL



**Product Code:** CO2052.KBN

### PRODUCT INFORMATION

<b>Finish:</b>	Brushed Nickel (PVD)
<b>Height:</b>	80mm
<b>Width:</b>	208.5mm
<b>Depth:</b>	226.8mm
<b>Material</b>	Brass
<b>Weight</b>	1.44kg
<b>Approvals/Standards</b>	WRAS
<b>Waste</b>	Not included, purchase separately
<b>Guarantee</b>	5 years
<b>Spout Projection (mm)</b>	169.8mm
<b>Other Features</b>	Pair with a 0 tap hole or countertop basin

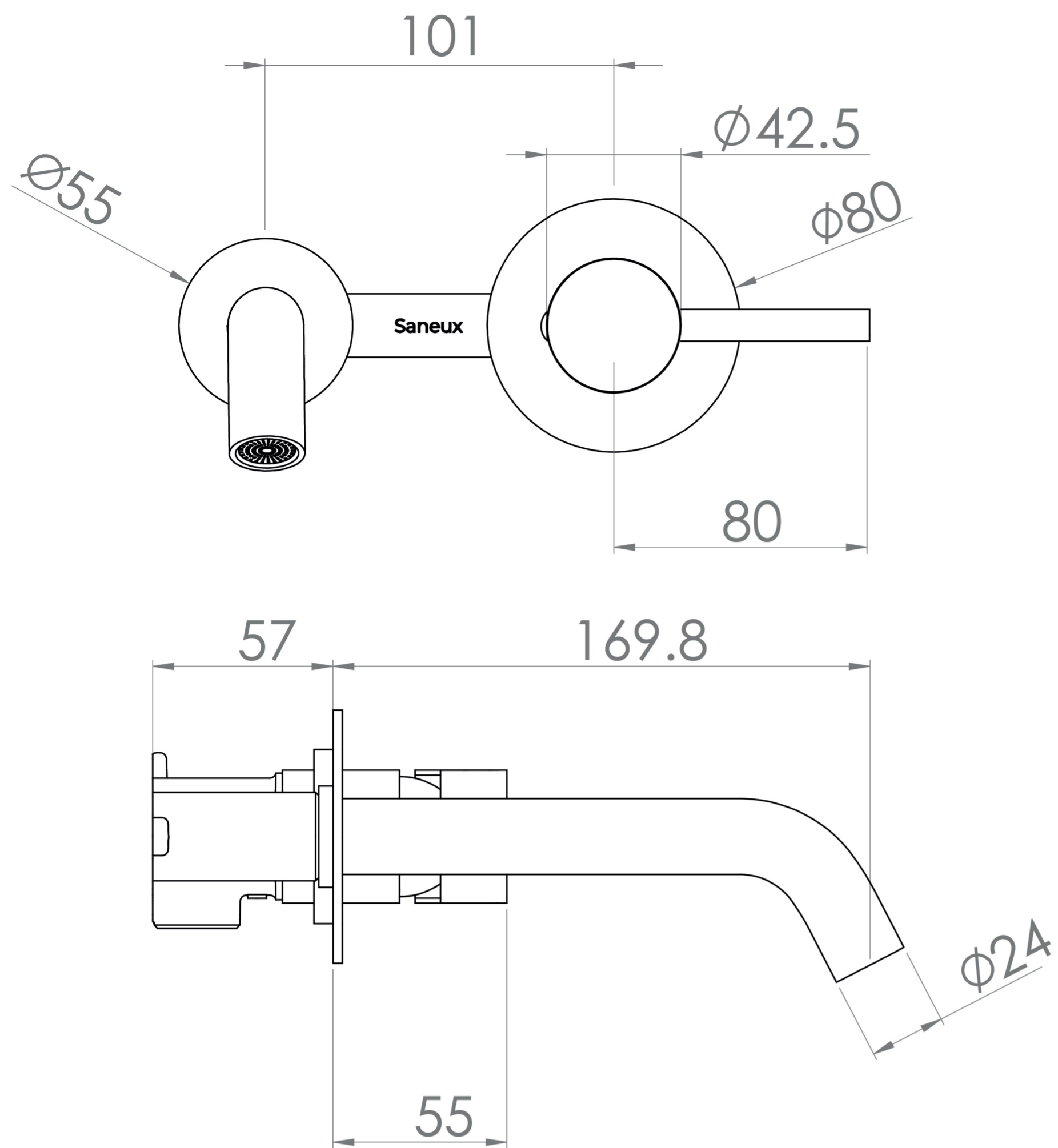
### DESCRIPTION

The COS collection was designed to create brassware that is both modern and classic to suit any style of bathroom.

Upgrade your basin mixer and opt for this COS 2 plate wall mounted basin mixer with an industrial style knurled handle in the brushed nickel finish. Pair it with any of our no tap hole washbasins or our SIENNA countertop basins.

For a shorter spout option (95mm) - use: SP.COS.050

Waste to be purchased separately.



- 0.2 Bar - Flowrate: 3 l/min
- 0.3 Bar - Flowrate: 3.6 l/min
- 0.4 Bar - Flowrate: 4.2 l/min
- 0.5 Bar - Flowrate: 4.6 l/min
- 1 Bar - Flowrate: 6.4 l/min
- 2 Bar - Flowrate: 9.1 l/min
- 3 Bar - Flowrate: 11.2 l/min
- 4 Bar - Flowrate: 13.1 l/min
- 5 Bar - Flowrate: 14.7 l/min

Saneux reserves the right to alter the specifications and product range without prior notice. Dimensions are given as a guide only. Dimensions should not be used for surrounding furniture, fixtures and fittings until the product is on site.