

COS WALL MOUNTED 2 PLATE BASIN MIXER WITH KNURLED HANDLE - CHROME



Product Code: CO2052.K

PRODUCT INFORMATION

Finish:	Chrome
Height:	80mm
Width:	208.5mm
Depth:	226.8mm
Material	Brass
Weight	1.44kg
Approvals/Standards	WRAS
Waste	Not included, purchase separately
Guarantee	5 years
Spout Projection (mm)	169.8mm
Other Features	Pair with a 0 tap hole or countertop basin

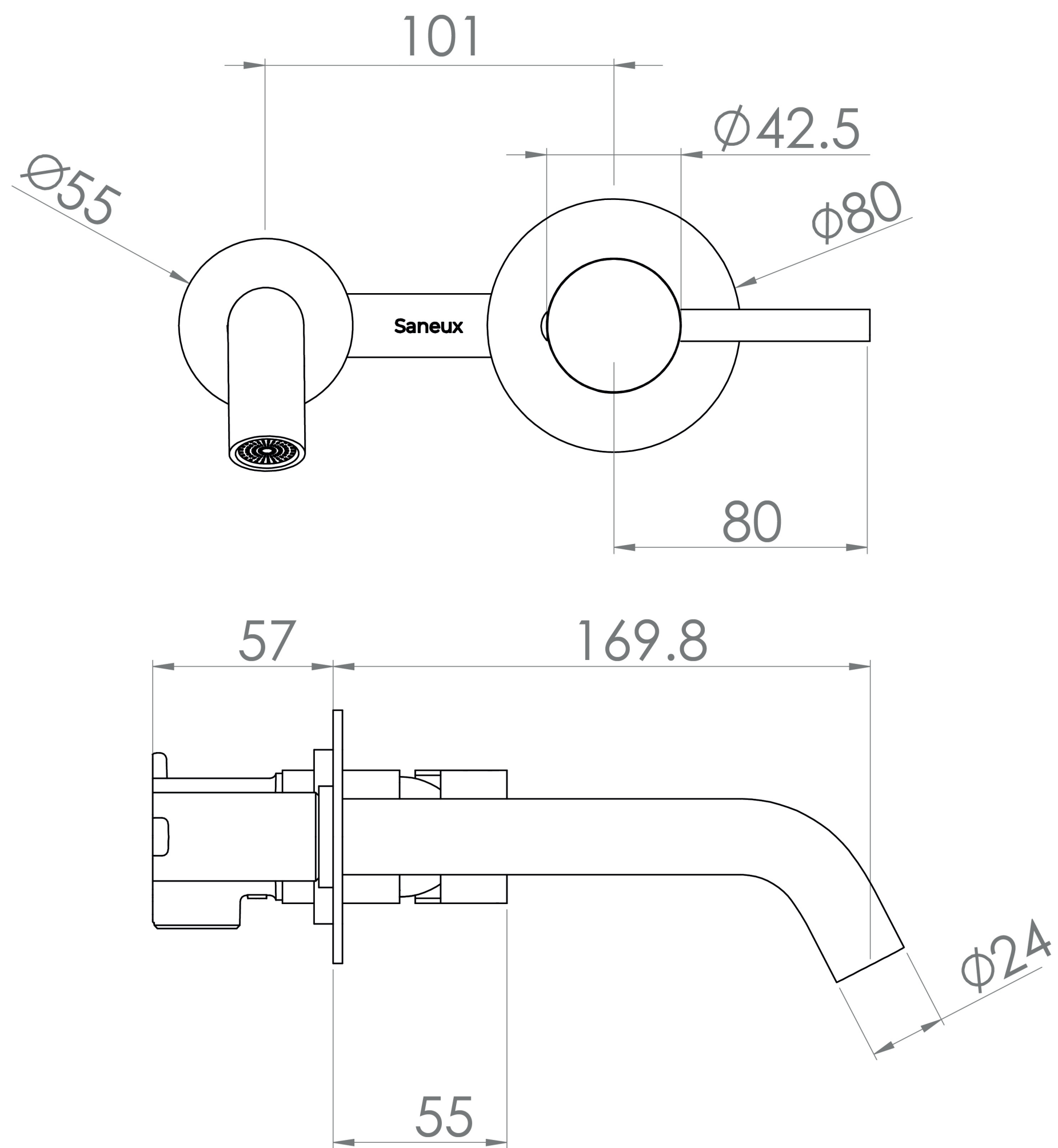
DESCRIPTION

The COS collection was designed to create brassware that is both modern and classic to suit any style of bathroom.

Upgrade your basin mixer and opt for this COS 2 plate wall mounted basin mixer with an industrial style knurled handle. Pair it with any of our no tap hole washbasins or our SIENNA countertop basins.

For a shorter spout option (95mm) - use: SP.COS.046

Waste to be purchased separately.



- 0.2 Bar - Flowrate: 3 l/min
- 0.3 Bar - Flowrate: 3.6 l/min
- 0.4 Bar - Flowrate: 4.2 l/min
- 0.5 Bar - Flowrate: 4.6 l/min
- 1 Bar - Flowrate: 6.4 l/min
- 2 Bar - Flowrate: 9.1 l/min
- 3 Bar - Flowrate: 11.2 l/min
- 4 Bar - Flowrate: 13.1 l/min
- 5 Bar - Flowrate: 14.7 l/min

Saneux reserves the right to alter the specifications and product range without prior notice. Dimensions are given as a guide only. Dimensions should not be used for surrounding furniture, fixtures and fittings until the product is on site.