

# COS TALL BASIN MIXER WITH KNURLED HANDLE - BRUSHED BRASS



**Product Code:** CO204.KBB

## PRODUCT INFORMATION

<b>Finish:</b>	Brushed Brass (PVD)
<b>Height:</b>	329.6mm
<b>Width:</b>	53mm
<b>Depth:</b>	176.7mm
<b>Product Type:</b>	Tall Basin Mixer Tap
<b>Material</b>	Brass
<b>Weight</b>	1.63kg
<b>Approvals/Standards</b>	WRAS
<b>Waste</b>	Not included, purchase separately
<b>Guarantee</b>	5 years
<b>Spout Projection (mm)</b>	155.5mm
<b>Other Features</b>	Pair with a countertop basin

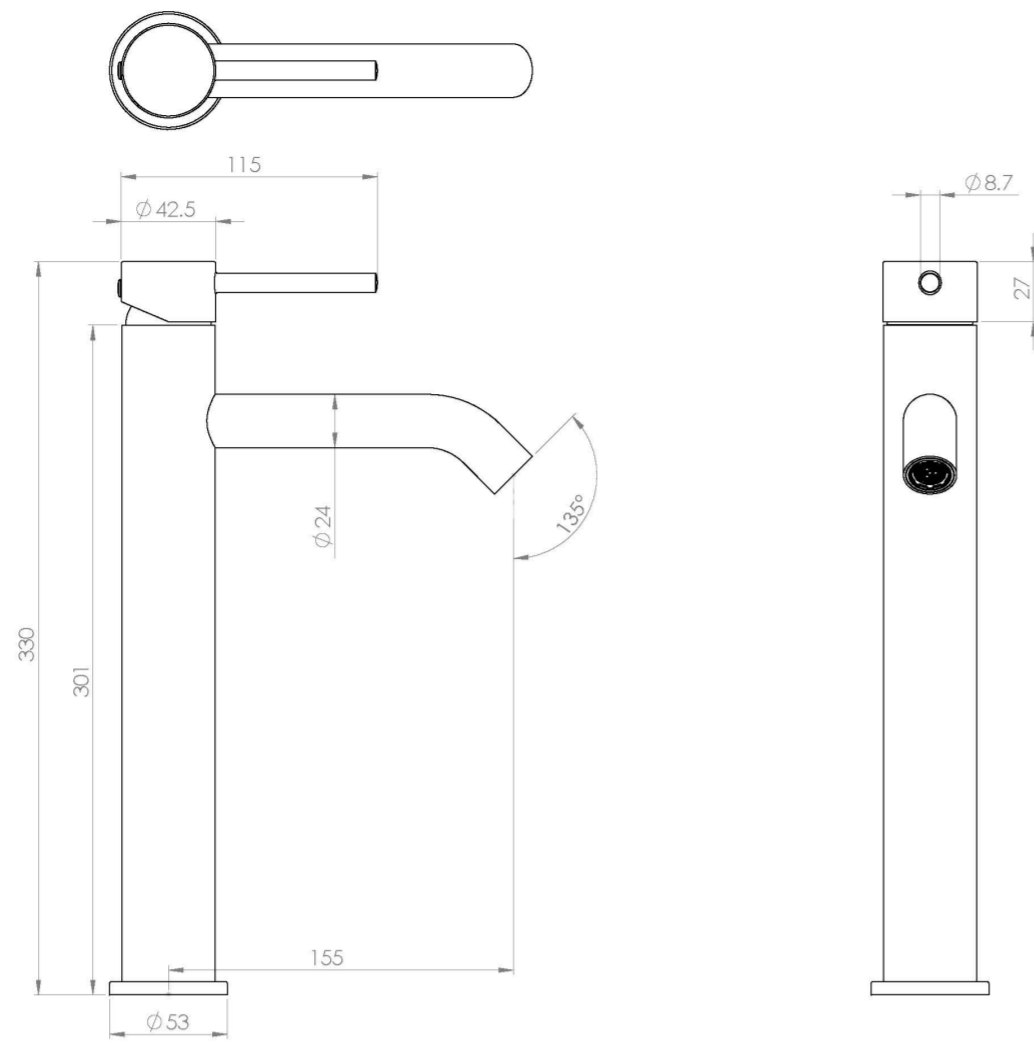
## DESCRIPTION

The COS collection was designed to create brassware that is both modern and classic to suit any style of bathroom.

Upgrade your basin mixer and opt for this COS tall basin mixer with an industrial style knurled handle in the brushed brass finish. It will match any of our ceramic and furniture ranges, but it is best suited with a countertop basin and countertop because of its height.

Waste to be purchased separately.

## TECHNICAL DRAWING



## FLOW RATE

- 0.2 Bar - Flowrate: 3.1 l/min
- 0.3 Bar - Flowrate: 3.6 l/min
- 0.4 Bar - Flowrate: 4.1 l/min
- 0.5 Bar - Flowrate: 4.5 l/min
- 1 Bar - Flowrate: 6.3 l/min
- 2 Bar - Flowrate: 9 l/min
- 3 Bar - Flowrate: 11.1 l/min
- 4 Bar - Flowrate: 13 l/min
- 5 Bar - Flowrate: 14.6 l/min

---

Saneux reserves the right to alter the specifications and product range without prior notice. Dimensions are given as a guide only. Dimensions should not be used for surrounding furniture, fixtures and fittings until the product is on site.

<https://saneux.com/products/cos-tall-basin-mixer-with-knurled-handle-brushed-brass>