

## COS BASIN MIXER WITH KNURLED HANDLE - BRUSHED BRASS



**Product Code:** CO201.KBB

---

### PRODUCT INFORMATION

<b>Finish:</b>	Brushed Brass (PVD)
<b>Height:</b>	185.6mm
<b>Width:</b>	50.5mm
<b>Depth:</b>	152.5mm
<b>Material</b>	Brass
<b>Weight</b>	1.29kg
<b>Approvals/Standards</b>	WRAS
<b>Waste</b>	Not included, purchase separately
<b>Guarantee</b>	5 years
<b>Spout Projection (mm)</b>	130mm

---

### DESCRIPTION

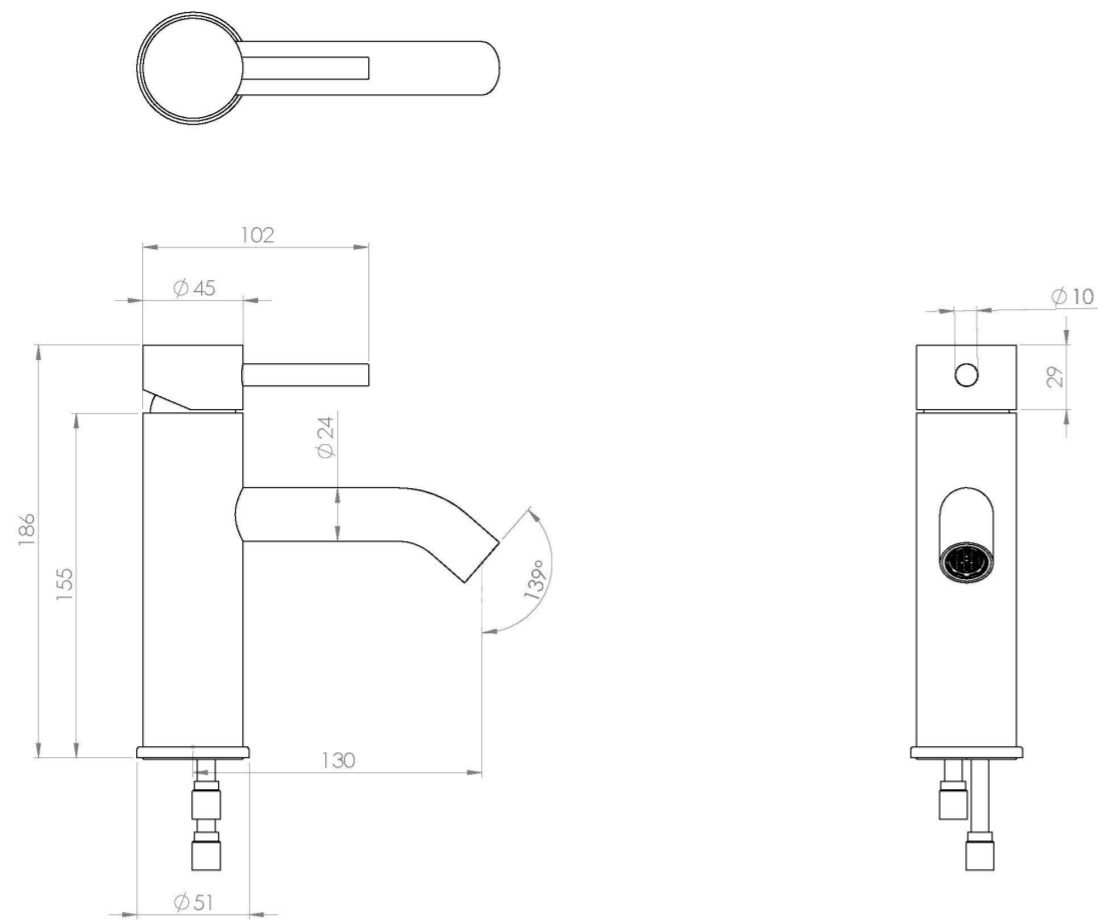
The COS collection was designed to create brassware that is both modern and classic to suit any style of bathroom.

Upgrade your standard basin mixer and opt for this COS basin mixer with an industrial style knurled handle in the brushed brass finish. It will match any of our ceramic and furniture ranges.

Waste to be purchased separately.

---

## TECHNICAL DRAWING



## FLOW RATE

- 0.2 Bar - Flowrate: 3.2 l/min
- 0.3 Bar - Flowrate: 3.7 l/min
- 0.4 Bar - Flowrate: 4.2 l/min
- 0.5 Bar - Flowrate: 4.7 l/min
- 1 Bar - Flowrate: 6.6 l/min
- 2 Bar - Flowrate: 9.3 l/min
- 3 Bar - Flowrate: 10.5 l/min
- 4 Bar - Flowrate: 13.4 l/min
- 5 Bar - Flowrate: 15.1 l/min

---

Saneux reserves the right to alter the specifications and product range without prior notice. Dimensions are given as a guide only. Dimensions should not be used for surrounding furniture, fixtures and fittings until the product is on site.

<https://saneux.com/products/cos-basin-mixer-with-knurled-handle-brushed-brass>