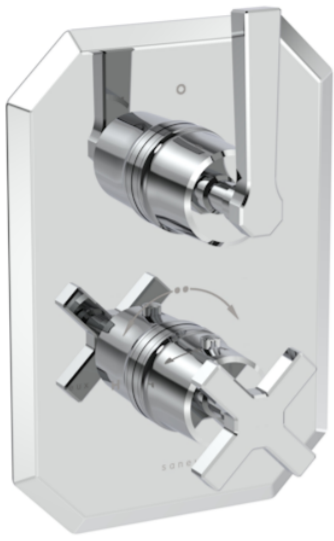


CROMWELL 1 WAY THERMOSTATIC SHOWER VALVE KIT WITH LEVER HANDLES - CHROME



Product Code: CR019L

PRODUCT INFORMATION

Finish:	Chrome
Height:	200mm
Width:	140mm
Depth:	205mm
Material	Brass, Stainless Steel
Approvals/Standards	WRAS
Guarantee	5 years
Outlets	Yes

DESCRIPTION

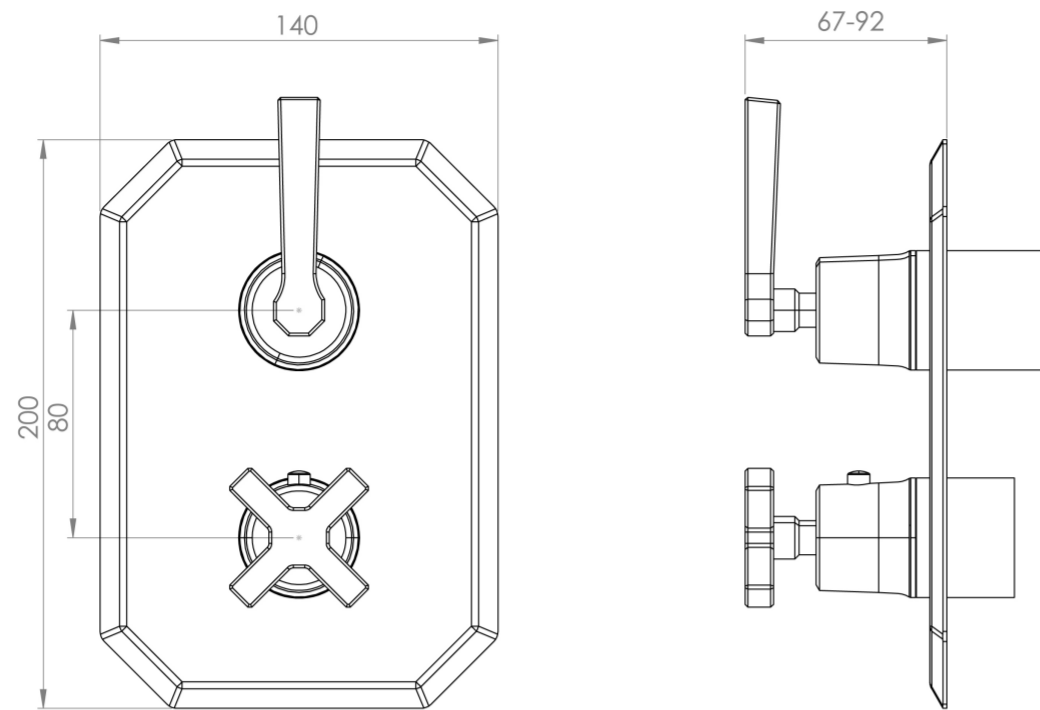
The basis for the design of the CROMWELL collection was to emulate a strong, traditional style of brassware that has contemporary elements to fit in with modern day interiors.

This one way thermostatic shower valve with lever handles adds class to any bathroom, and matches the 3 tap hole basin mixer that features the same style handles.

This thermostatic valve has 1 outlet which allows it to control either a shower head, a shower handset, or a bath filler. The top handle turns the component on and off, and the bottom handle controls the water temperature.

*WRAS Approved valve

TECHNICAL DRAWING



FLOW RATE

- 1 Bar - Flowrate: 21 l/min
- 2 Bar - Flowrate: 28.5 l/min
- 3 Bar - Flowrate: 35 l/min

Saneux reserves the right to alter the specifications and product range without prior notice. Dimensions are given as a guide only. Dimensions should not be used for surrounding furniture, fixtures and fittings until the product is on site.

<https://saneux.com/products/cromwell-1-way-thermostatic-shower-valve-kit-with-lever-handles-chrome>