

COS 3-WAY THERMOSTATIC SHOWER VALVE KIT - BRUSHED BRASS



Product Code: CO221.BB

PRODUCT INFORMATION

Finish:	Brushed Brass (PVD)
Height:	275mm
Width:	120mm
Depth:	138mm
Material	Brass, Stainless Steel
Weight	4.39kg
Approvals/Standards	WRAS
Guarantee	5 years
Outlets	3

DESCRIPTION

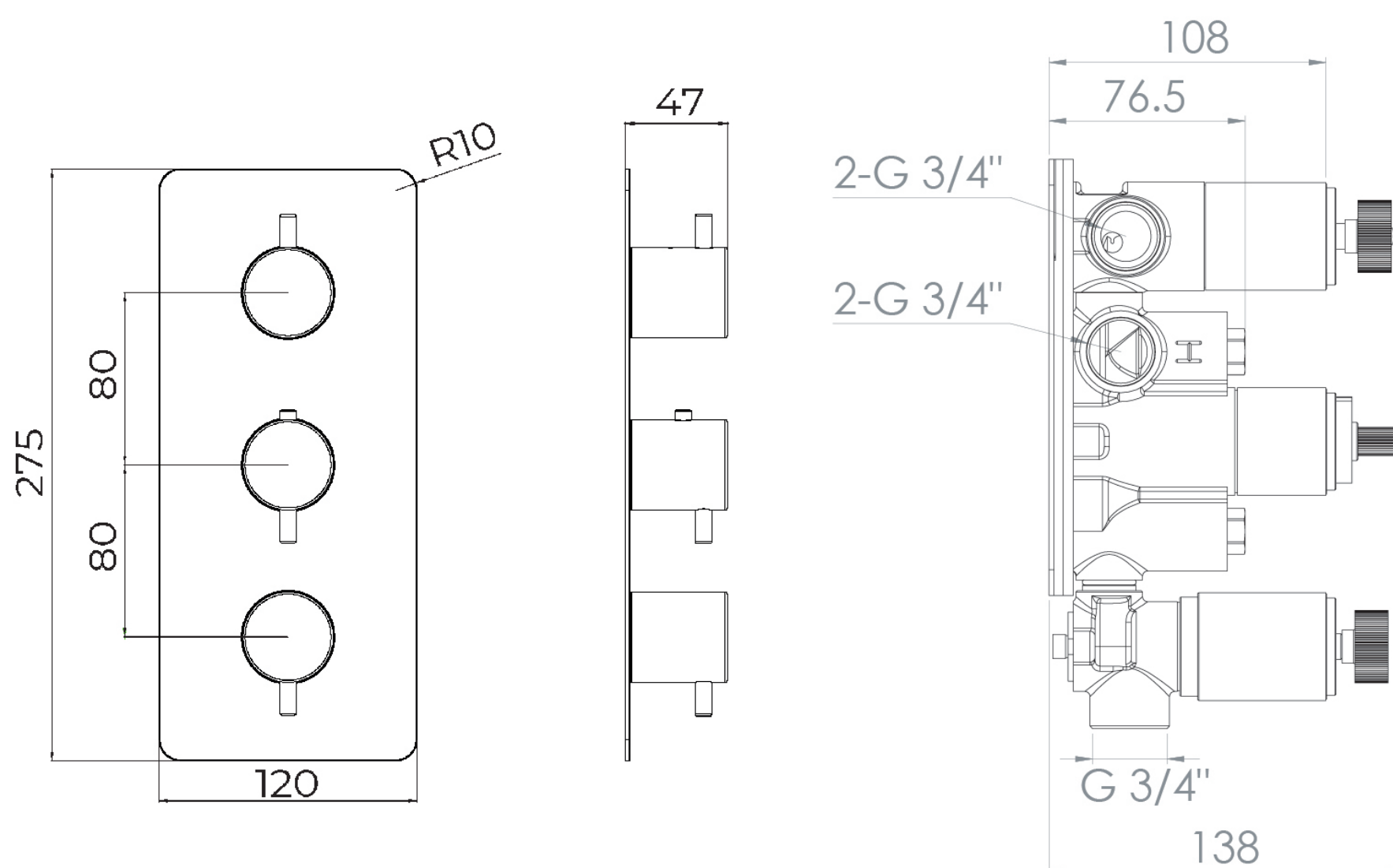
The COS collection was designed to create brassware that was both modern and classic to suit any style of bathroom.

This COS 3 way thermostatic shower valve in this stunning brushed brass finish will instantly add a luxurious touch to your shower and bathroom as a whole.

This portrait thermostatic valve has 3 outlets which allows it to control a shower head, handset and bath filler. The top and bottom handles control the on/off function of the components, whilst the middle handle controls the water temperature.

*WRAS Approved valve

TECHNICAL DRAWING



FLOW RATE

- 1 Bar - Flowrate: 21 l/min
- 2 Bar - Flowrate: 28.5 l/min
- 3 Bar - Flowrate: 35 l/min

Saneux reserves the right to alter the specifications and product range without prior notice. Dimensions are given as a guide only. Dimensions should not be used for surrounding furniture, fixtures and fittings until the product is on site.

<https://saneux.com/products/cos-3-way-thermostatic-shower-valve-kit-brushed-brass>