

# COS 2-WAY THERMOSTATIC SHOWER VALVE KIT - BRUSHED NICKEL



**Product Code:** CO220.BN

## PRODUCT INFORMATION

<b>Finish:</b>	Brushed Nickel (PVD)
<b>Height:</b>	215mm
<b>Width:</b>	120mm
<b>Depth:</b>	138mm
<b>Material</b>	Brass, Stainless Steel
<b>Weight</b>	3.58kg
<b>Approvals/Standards</b>	WRAS
<b>Guarantee</b>	5 years
<b>Outlets</b>	2

## DESCRIPTION

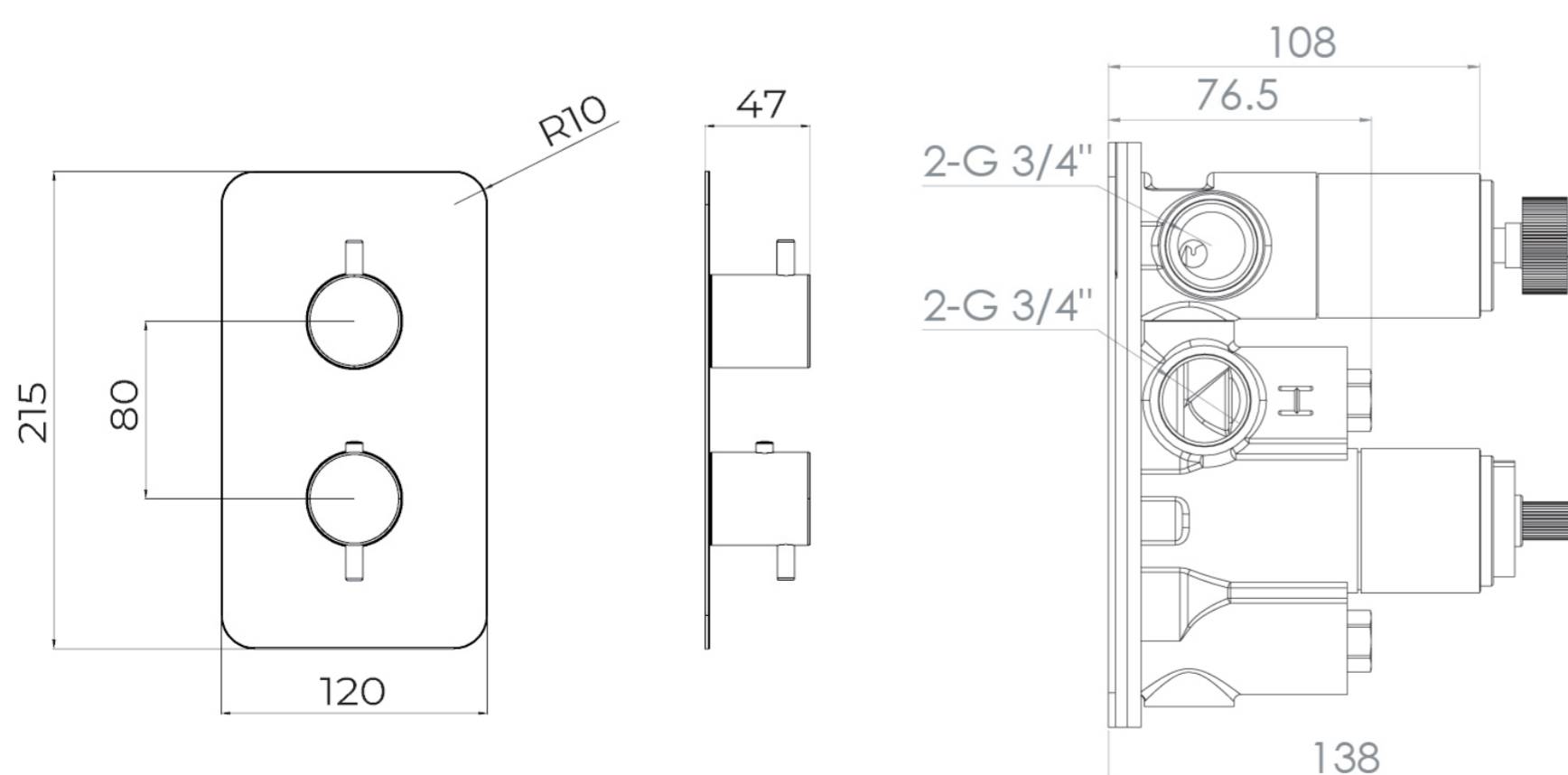
The COS collection was designed to create brassware that was both modern and classic to suit any style of bathroom.

This COS 2 way thermostatic shower valve in this stunning brushed nickel finish will instantly add a luxurious touch to your shower and bathroom as a whole.

This thermostatic valve has 2 outlets which allows it to control a shower head and handset; a handset and bath filler; or a shower head and bath filler. The top handle controls the on/off function of the two components, whilst the bottom handle controls the water temperature.

\*WRAS Approved valve

## TECHNICAL DRAWING



## FLOW RATE

- 1 Bar - Flowrate: 16 l/min
- 2 Bar - Flowrate: 22.5 l/min
- 3 Bar - Flowrate: 28.5 l/min

