

COS 2 WAY THERMOSTATIC SHOWER VALVE KIT - BRUSHED BRASS



Product Code: CO220.BB

PRODUCT INFORMATION

Finish:	Brushed Brass (PVD)
Height:	215mm
Width:	120mm
Depth:	138mm
Material	Brass, Stainless Steel
Weight	3.58kg
Approvals/Standards	WRAS
Guarantee	5 years
Outlets	2

DESCRIPTION

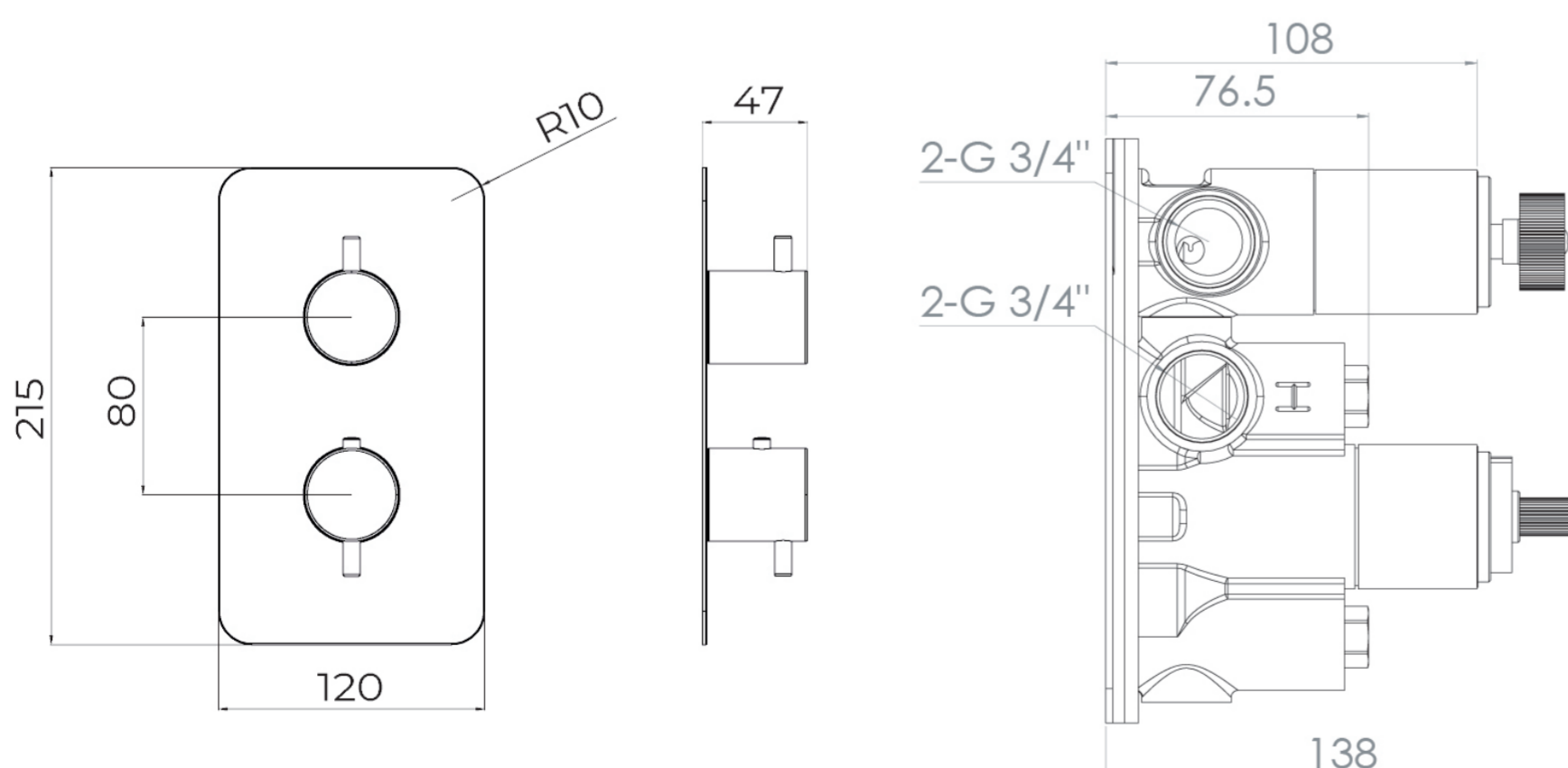
The COS collection was designed to create brassware that was both modern and classic to suit any style of bathroom.

This COS 2 way thermostatic shower valve in this stunning brushed brass finish will instantly add a luxurious touch to your shower and bathroom as a whole.

This thermostatic valve has 2 outlets which allows it to control a shower head and handset; a handset and bath filler; or a shower head and bath filler. The top handle controls the on/off function of the two components, whilst the bottom handle controls the water temperature.

*WRAS Approved valve

TECHNICAL DRAWING



FLOW RATE

- 1 Bar - Flowrate: 16 l/min
- 2 Bar - Flowrate: 22.5 l/min
- 3 Bar - Flowrate: 28.5 l/min

