

TOOGA RIGID RISER RAIL (FOR TO2WVO1.MB) - MATTE BLACK



PRODUCT INFORMATION

Finish:	Matte Black (Electroplated)
Height:	850mm
Width:	30mm
Depth:	335mm
Material	Stainless Steel
Weight	1.25kg

Product Code: TORR01.MB

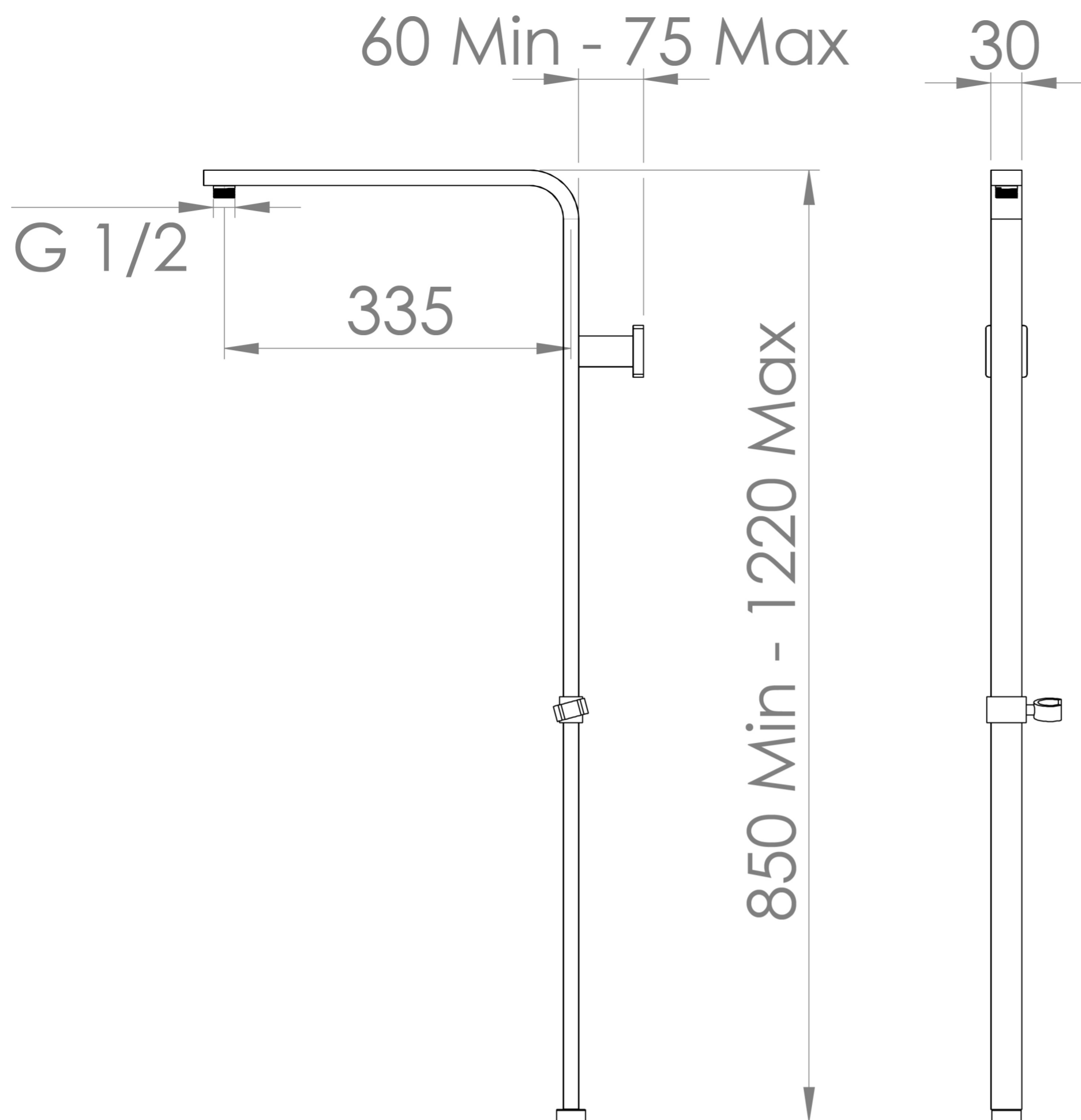
DESCRIPTION

The TOOGA brassware collection features products that will be the focal point of any bathroom with its sharp, sleek lines.

This TOOGA rigid riser rail in matte black was specifically created to be paired with our TOOGA thermostatic 2 way bar valve. It has a handset holder bracket, and the rail itself is adjustable so you can change the height of where the shower head sits.

Pair it with a TOOGA round shower head, TOOGA handset, and shower hose.

TECHNICAL DRAWING



Saneux reserves the right to alter the specifications and product range without prior notice. Dimensions are given as a guide only. Dimensions should not be used for surrounding furniture, fixtures and fittings until the product is on site.

<https://saneux.com/products/tooga-rigid-riser-rail-for-to2vw01mb-matte-black>