

# COS 3 WAY THERMOSTATIC SHOWER VALVE KIT - MATTE BLACK



Product Code: CO221.MB

## PRODUCT INFORMATION

<b>Finish:</b>	Matte Black (Electroplated)
<b>Height:</b>	275mm
<b>Width:</b>	120mm
<b>Depth:</b>	185mm
<b>Material</b>	Brass, Stainless Steel
<b>Weight</b>	4.39kg
<b>Approvals/Standards</b>	WRAS
<b>Guarantee</b>	5 years
<b>Outlets</b>	3

## DESCRIPTION

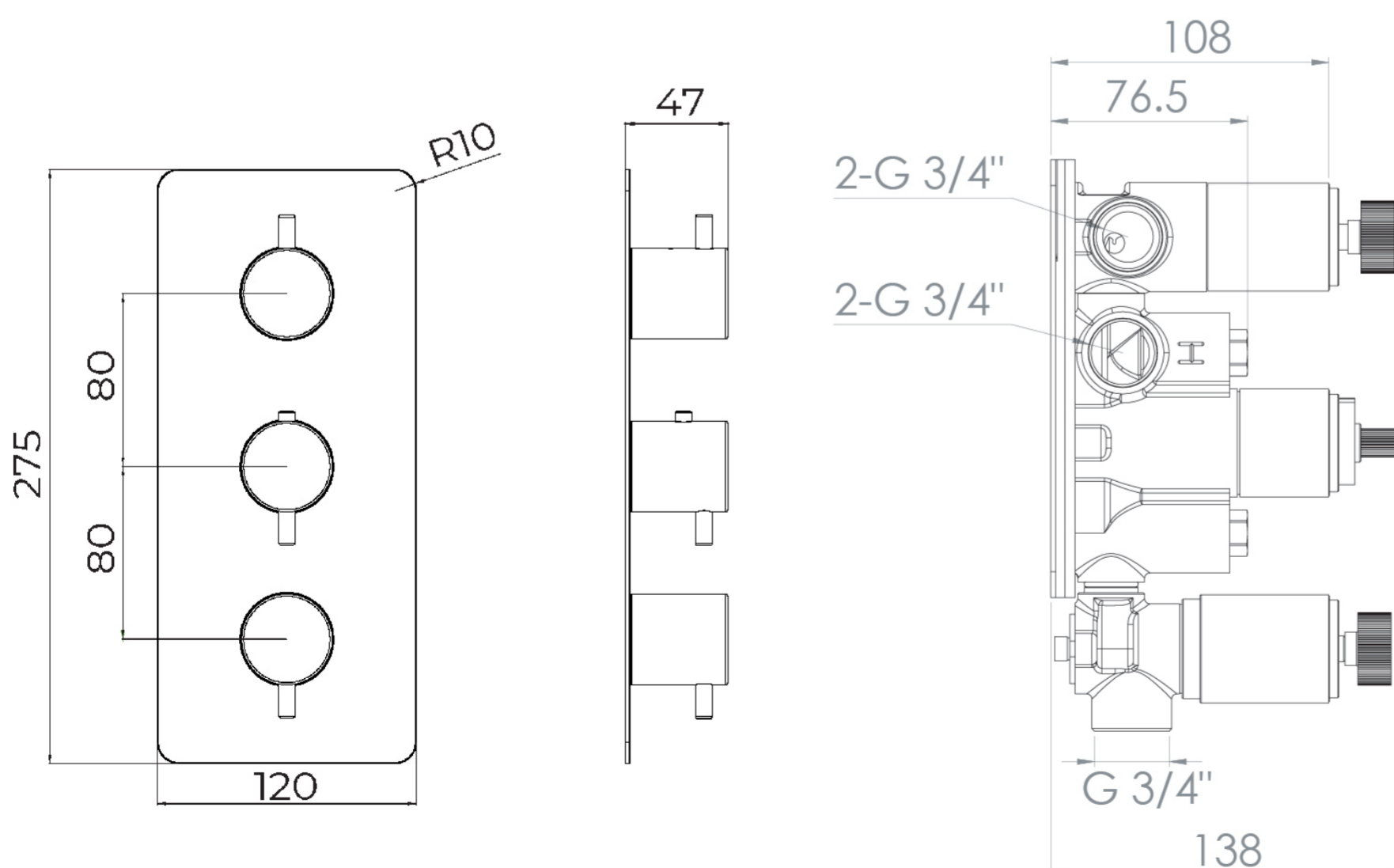
The COS collection was designed to create brassware that was both modern and classic to suit any style of bathroom.

This COS 3 way thermostatic shower valve in a modern matte black finish will instantly add a luxurious touch to your shower and bathroom as a whole.

This portrait thermostatic valve has 3 outlets which allows it to control a shower head, handset and bath filler. The top and bottom handles control the on/off function of the components, whilst the middle handle controls the water temperature.

\*WRAS Approved valve

## TECHNICAL DRAWING



## FLOW RATE

- 1 Bar - Flowrate: 16 l/min
- 2 Bar - Flowrate: 22.5 l/min
- 3 Bar - Flowrate: 28.5 l/min

Saneux reserves the right to alter the specifications and product range without prior notice. Dimensions are given as a guide only. Dimensions should not be used for surrounding furniture, fixtures and fittings until the product is on site.

<https://saneux.com/products/cos-3-way-thermostatic-shower-valve-kit-matte-black>