

COS 1 WAY THERMOSTATIC SHOWER VALVE KIT - MATTE BLACK



Product Code: CO219.MB

PRODUCT INFORMATION

Finish:	Matte Black (Electroplated)
Height:	215mm
Width:	120mm
Depth:	185mm
Material	Brass, Stainless Steel
Weight	3.18kg
Approvals/Standards	WRAS
Guarantee	5 years
Outlets	Yes

DESCRIPTION

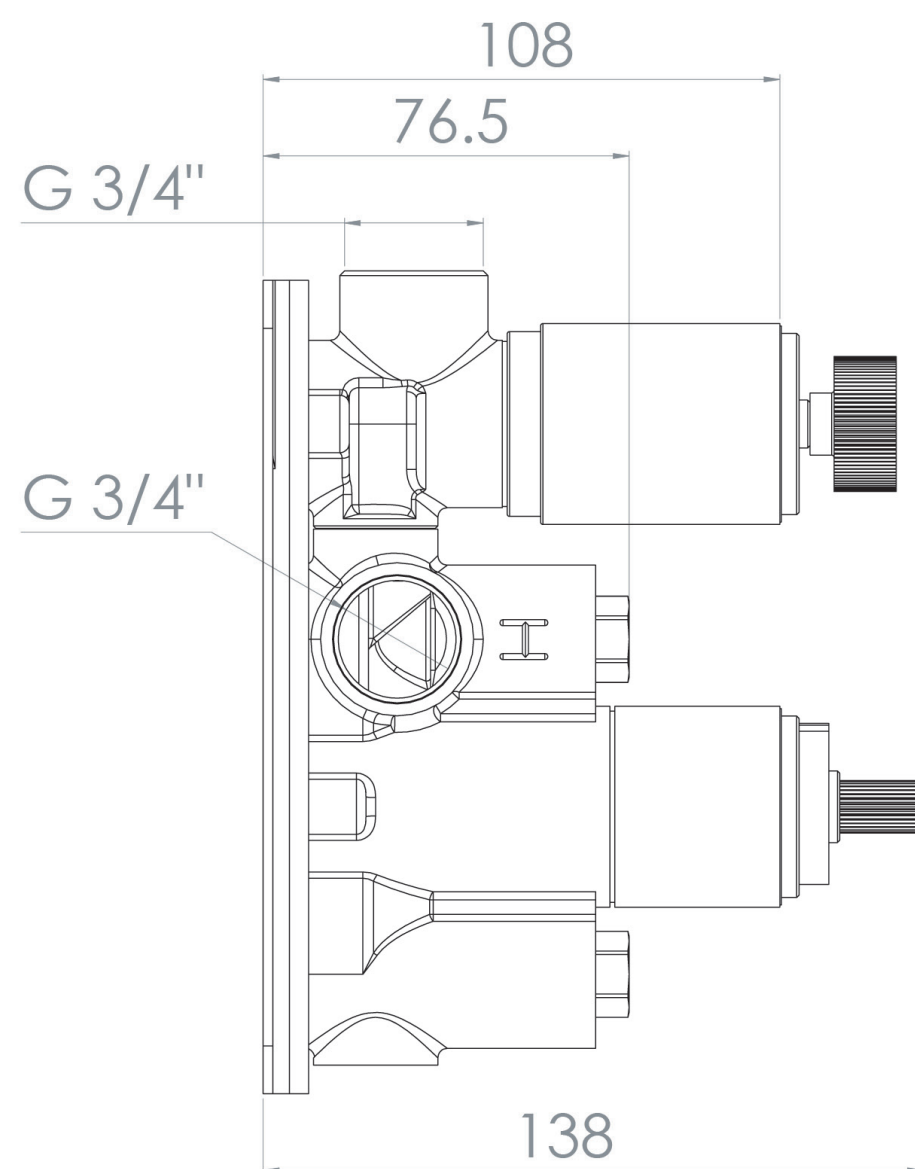
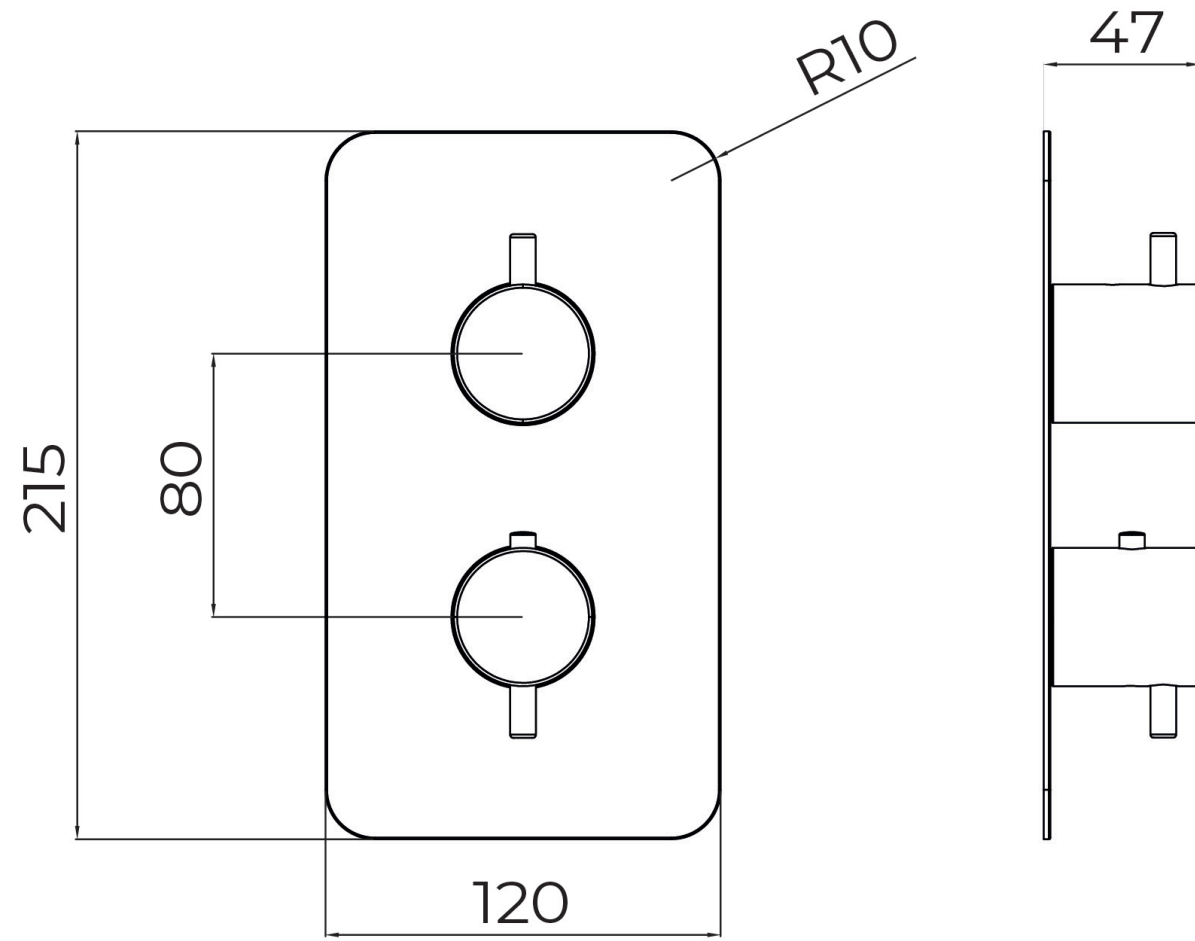
The COS collection was designed to create brassware that was both modern and classic to suit any style of bathroom.

This COS 1 way thermostatic shower valve in a modern matte black finish will instantly add a luxurious touch to your shower and bathroom as a whole.

This thermostatic valve has 1 outlet which allows it to control either a shower head, a shower handset, or a bath filler. The top handle turns the component on and off, and the bottom handle controls the water temperature.

*WRAS Approved valve

- 1 Bar - Flowrate: 21 l/min
- 2 Bar - Flowrate: 28.5 l/min
- 3 Bar - Flowrate: 35 l/min



Saneux reserves the right to alter the specifications and product range without prior notice. Dimensions are given as a guide only. Dimensions should not be used for surrounding furniture, fixtures and fittings until the product is on site.