

# MATTEO CISTERN (FOR MACC01) - WITH ROD PUSH FLUSH VALVE



**Product Code:** MACI02

## PRODUCT INFORMATION

<b>Finish:</b>	Gloss White
<b>Height:</b>	410mm
<b>Width:</b>	366mm
<b>Depth:</b>	140mm
<b>Material</b>	Ceramic
<b>Weight</b>	15kg
<b>Guarantee</b>	2 years
<b>Compatible Pan(s)</b>	MACC01, MACC01.L, MACC01.R
<b>Compatible Flush Buttons</b>	FB2.BB, FB2.MB, FB2.BR

## DESCRIPTION

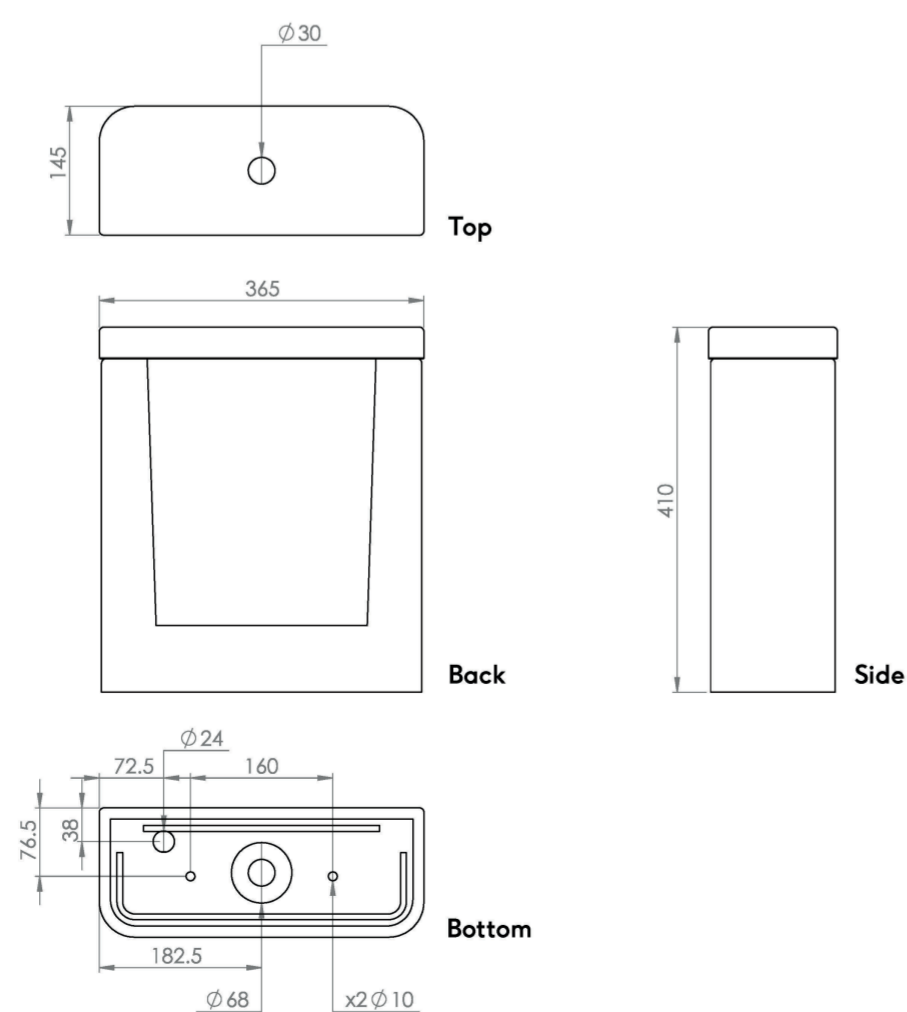
MATTEO offers an unmistakable style with it's square design that is fit for any modern bathroom.

This cistern pairs with our close-coupled rimless pans, with the WRAS approved internals already inside the tank.

\*Pan sold separately

Compatible pans: MACC01, MACC01.L, MACC01.R

## TECHNICAL DRAWING



Saneux reserves the right to alter the specifications and product range without prior notice. Dimensions are given as a guide only. Dimensions should not be used for surrounding furniture, fixtures and fittings until the product is on site.

<https://saneux.com/products/matteo-cistern-for-macc01-with-rod-push-flush-valve>