

## UNI 54X40CM SEMI-RECESSED WASHBASIN OTH



## PRODUCT INFORMATION

<b>Finish:</b>	Gloss White
<b>Height:</b>	170mm
<b>Width:</b>	540mm
<b>Depth:</b>	400mm
<b>Material</b>	Ceramic
<b>Overflow(s)</b>	Yes
<b>Overflow Position</b>	Centre
<b>Overflow Diameter</b>	25mm
<b>Tap Holes</b>	0 Tap Hole
<b>Extra Tap Hole Options</b>	1 tap hole
<b>Cutting Template Included</b>	Yes
<b>Recommended Waste Required</b>	Slotted waste
<b>Furniture Required For Installation?</b>	Yes
<b>Guarantee</b>	Lifetime

**Product Code:** 66002.0TH

## DESCRIPTION

UNI semi-recessed washbasin 54 x 40cm with 0 Tap Hole. A stylish, semi-recessed, compact basin available with a 1 centered or No Tap Hole configuration.

Dimensions – 540 mm (w) x 400 mm (d) x 170 mm (h)

# TECHNICAL DRAWING

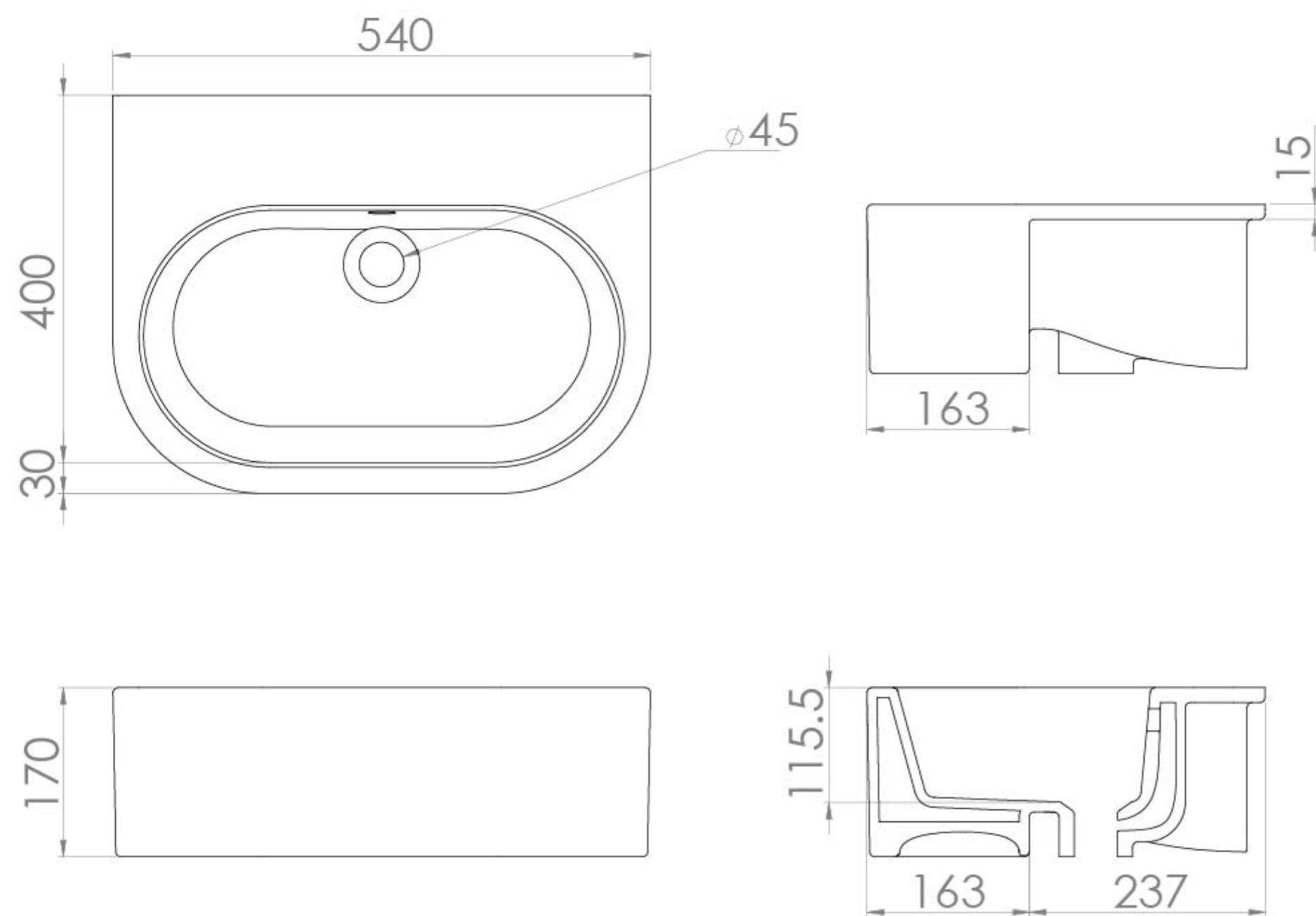
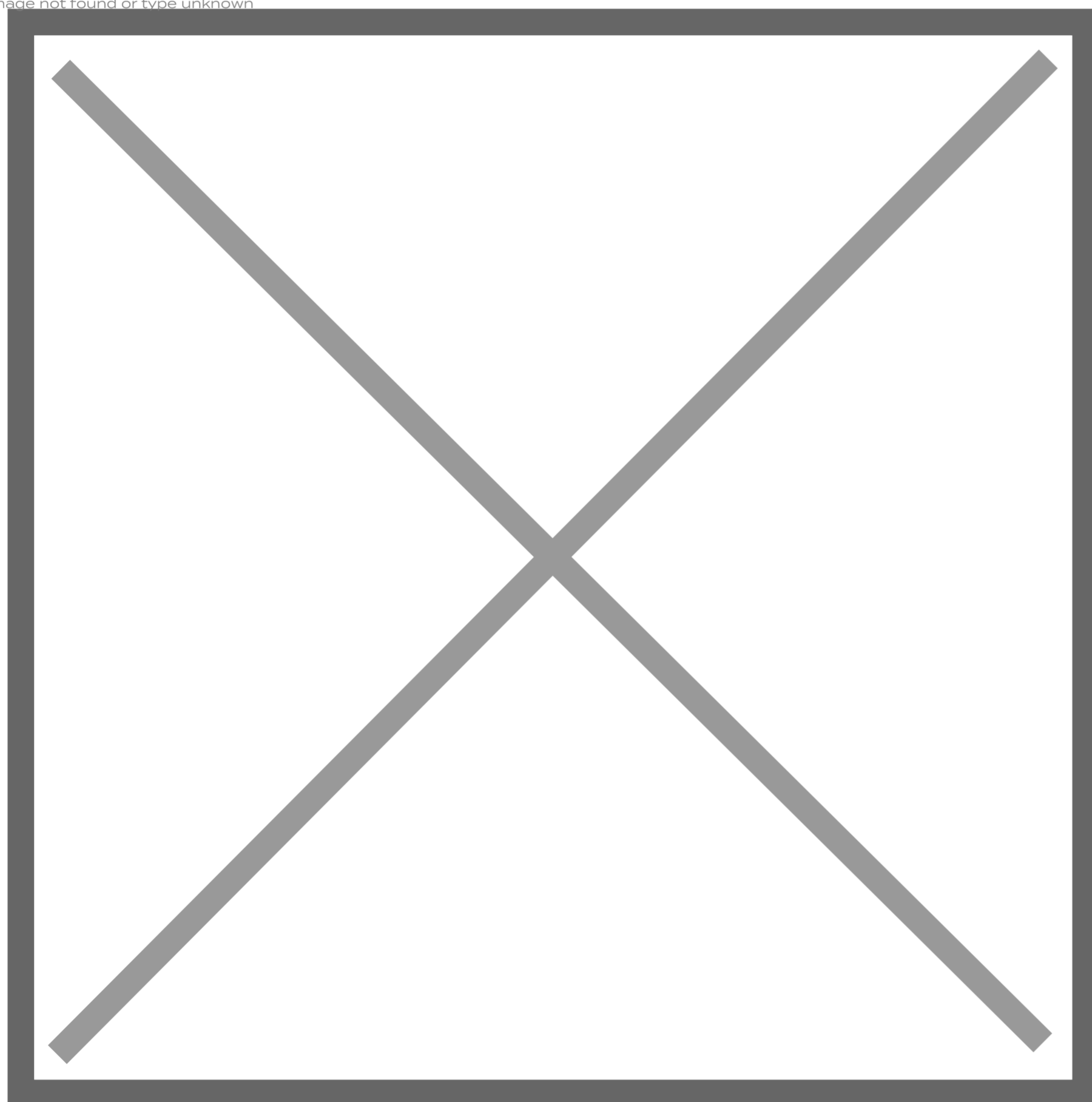


Image not found or type unknown



Saneux reserves the right to alter the specifications and product range without prior notice. Dimensions are given as a guide only. Dimensions should not be used for surrounding furniture, fixtures and fittings until the product is on site.