

JONES 2 TOILET BRUSH & HOLDER



PRODUCT INFORMATION

Finish:	Chrome
Height:	370mm
Width:	152mm
Depth:	112mm
Material	Brass, Glass
Weight	1.1kg

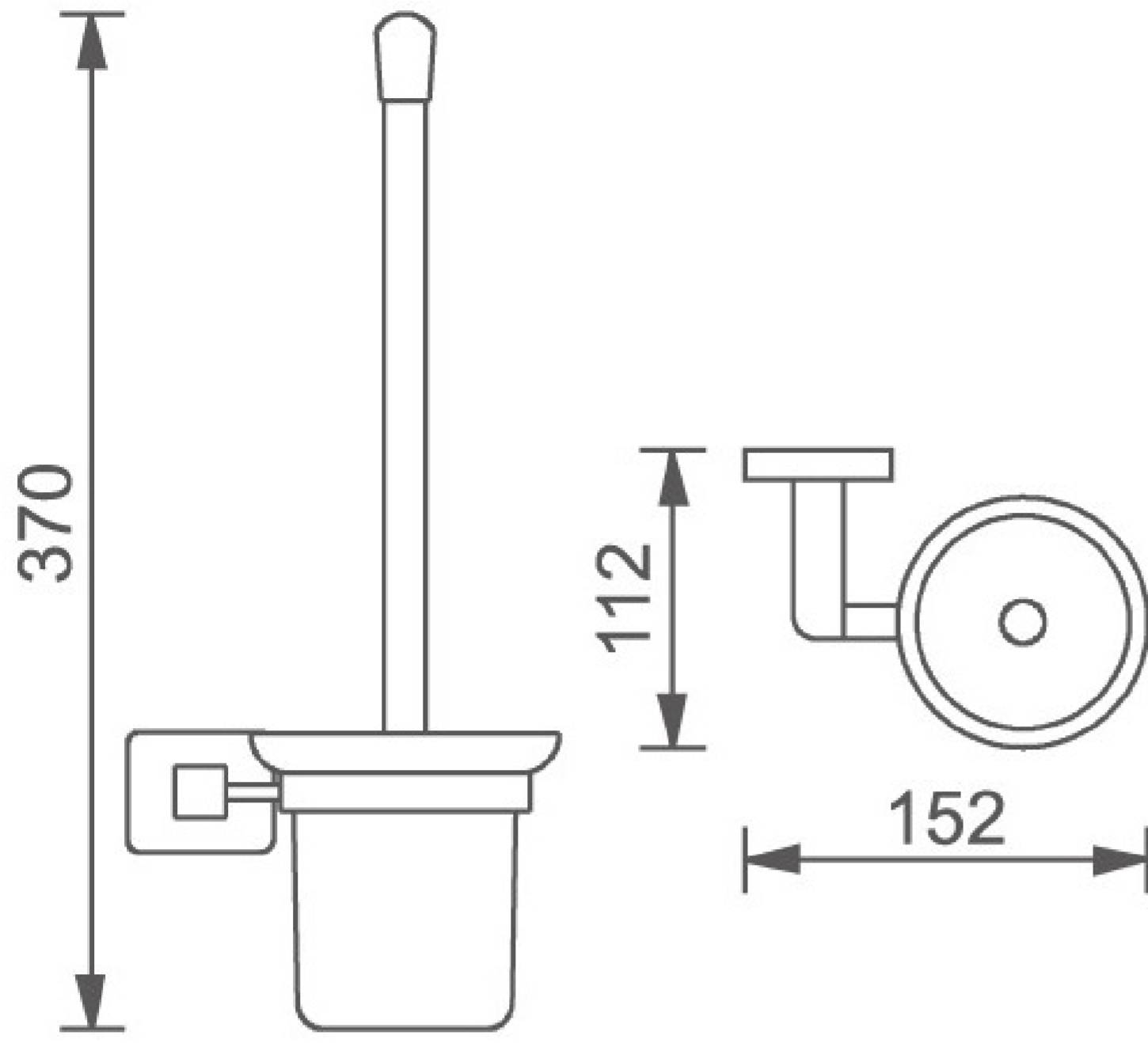
Product Code: JO2310

DESCRIPTION

JONES 2 brush holder

The JONES ACCESSORIES 2 range is a complete collection of bathroom accessories designed specifically to match the JONES range of furniture & sanitaryware. The stylish curves and modern design make it perfect for making the use and day-to-day maintenance - a breeze!

TECHNICAL DRAWING



Saneux reserves the right to alter the specifications and product range without prior notice. Dimensions are given as a guide only. Dimensions should not be used for surrounding furniture, fixtures and fittings until the product is on site.

<https://saneux.com/products/jones-2-toilet-brush-holder>