

AUSTEN 62X45CM WASHBASIN 1TH



Product Code: 50010

PRODUCT INFORMATION

Finish:	Gloss White
Height:	170mm
Width:	620mm
Depth:	455mm
Material	Ceramic
Weight	12.44kg
Overflow(s)	Yes
Overflow Position	Centre
Overflow Diameter	20mm
Compatible Overflows	OC01, OC02, OC03
Tap Holes	1 Tap Hole
Tap Hole Position	Centre
Extra Tap Hole Options	2 tap holes
Recommended Waste Required	Slotted waste
Furniture Required For Installation?	Optional
Guarantee	Lifetime

DESCRIPTION

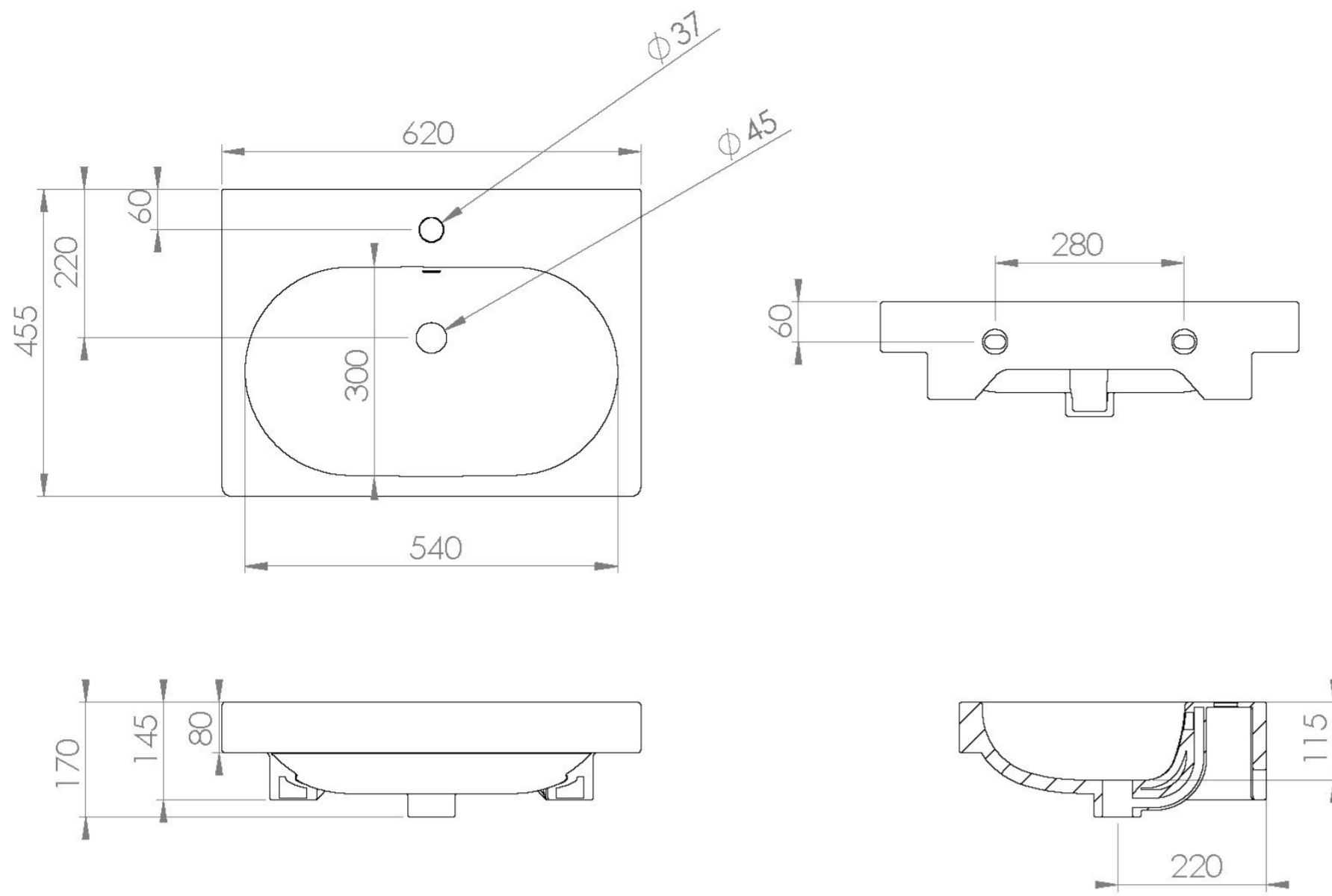
AUSTEN was designed to provide you with the best quality bathroom products that offer a luxurious yet classic style that will stand the test of time.

This AUSTEN 62x45cm 1 tap hole washbasin has a perfectly rounded deep bowl to prevent splashing as well as plenty of ledge space for displaying toiletries. It is also a modest projection of 45cm, so it can work in a variety of bathrooms.

Pair this washbasin with our AUSTEN 60cm wall mounted and floor standing vanity units.

*With an overflow

TECHNICAL DRAWING



Saneux reserves the right to alter the specifications and product range without prior notice. Dimensions are given as a guide only. Dimensions should not be used for surrounding furniture, fixtures and fittings until the product is on site.

<https://saneux.com/products/austen-62x45cm-washbasin-lth>