

UNI 80CM 2 DRAWER WALL MOUNTED UNIT - MATTE ANTHRACITE



Product Code: UNI080W2.MA

PRODUCT INFORMATION

Finish:	Matte Anthracite
Height:	530mm
Width:	795mm
Depth:	455mm
Material	MDF, MFC
Weight	35kg
Guarantee	5 years
Configuration	2 Drawer
Drawer Type	Soft close
Compatible Basin(s)	UN080B, UN080B.0TH
Compatible Countertop(s)	UN080T.MA, UN080T.MW, UN080T.EO, UN080T.MC, UN080T.C, UN080T.MW.2
Other Features	Easy installation Quick release drawers Saneux branded drawer covers

DESCRIPTION

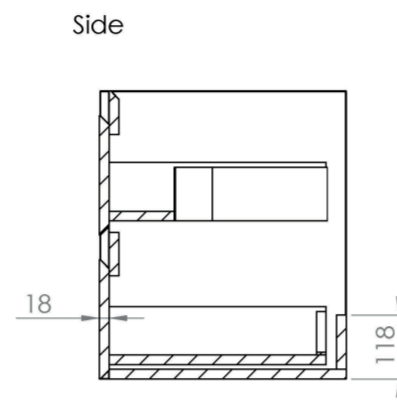
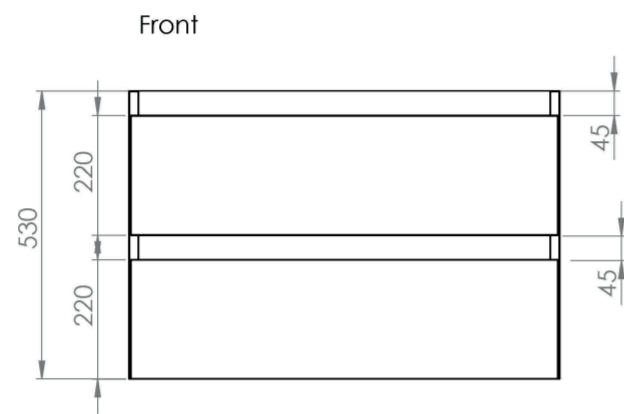
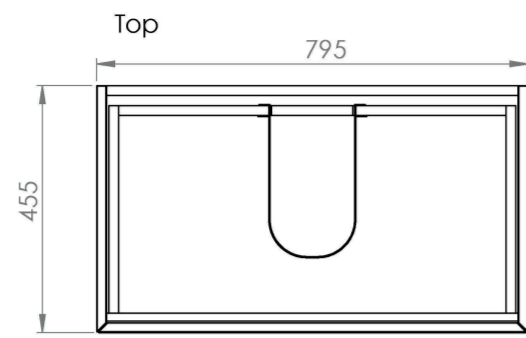
We've kept the UNI collection at a low profile - quite literally. It carries a vast range of slim profile basins with handle-less drawer units to help you to create a contemporary bathroom.

The 80cm 2 drawer wall mounted unit has plenty of storage space, and the finer detail of soft closing drawers prevents slamming. Opt for the matte anthracite finish to add more depth to your design, and pair it with either a UNI countertop or UNI 80cm slim profile basin.

*Basin to be purchased separately

Compatible basins: UN080B, UN080B.0TH

TECHNICAL DRAWING



Saneux reserves the right to alter the specifications and product range without prior notice. Dimensions are given as a guide only. Dimensions should not be used for surrounding furniture, fixtures and fittings until the product is on site.

<https://saneux.com/products/uni-80cm-2-drawer-wall-mounted-unit-matte-anthracite-1>