

# UNI 80CM 2 DRAWER WALL MOUNTED UNIT - MATTE WHITE



**Product Code:** UNI080W2.MW

## PRODUCT INFORMATION

<b>Finish:</b>	Matte White
<b>Height:</b>	530mm
<b>Width:</b>	795mm
<b>Depth:</b>	455mm
<b>Material</b>	MDF, MFC
<b>Weight</b>	35kg
<b>Guarantee</b>	5 years
<b>Configuration</b>	2 Drawer
<b>Drawer Type</b>	Soft close
<b>Compatible Basin(s)</b>	UN080B, UN080B.0TH
<b>Compatible Countertop(s)</b>	UN080T.MA, UN080T.MW, UN080T.EO, UN080T.MC, UN080T.C, UN080T.MW.2
<b>Other Features</b>	Easy installation Quick release drawers Saneux branded drawer covers

## DESCRIPTION

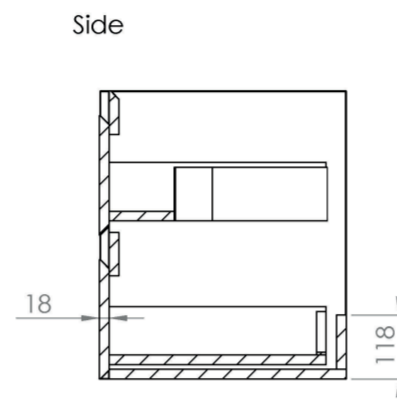
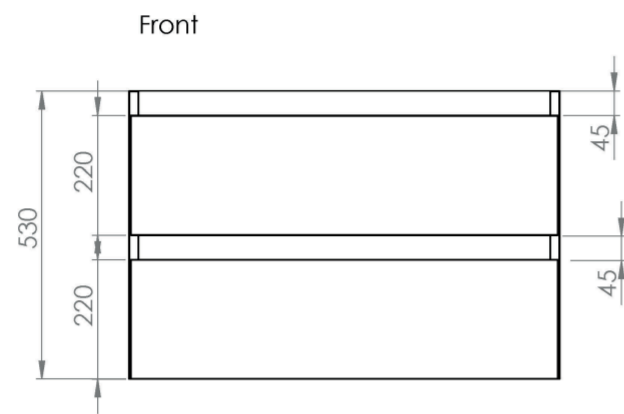
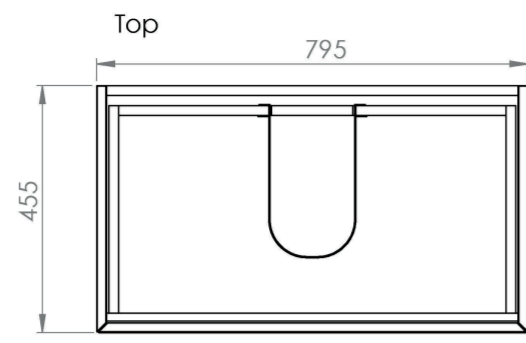
We've kept the UNI collection at a low profile - quite literally. It carries a vast range of slim profile basins with handle-less drawer units to help you to create a contemporary bathroom.

The 80cm 2 drawer wall mounted unit has plenty of storage space, and the finer detail of soft closing drawers prevents slamming. Opt for the matte white finish which will suit any bathroom colour scheme, and pair it with either a UNI countertop or UNI 80cm slim profile basin.

\*Basin to be purchased separately

Compatible basins: UN080B, UN080B.0TH

# TECHNICAL DRAWING



---

Saneux reserves the right to alter the specifications and product range without prior notice. Dimensions are given as a guide only. Dimensions should not be used for surrounding furniture, fixtures and fittings until the product is on site.

<https://saneux.com/products/uni-80cm-2-drawer-wall-mounted-unit-matte-white-1>