

COS 2 WAY THERMOSTATIC LOW PRESSURE SHOWER VALVE KIT IN LANDSCAPE - MATTE BLACK



Product Code: CO222.LMB

PRODUCT INFORMATION

Finish:	Matte Black (Electroplated)
Height:	120mm
Width:	275mm
Depth:	185mm
Material	Brass, Stainless Steel
Weight	4.07kg
Approvals/Standards	WRAS
Guarantee	5 years
Outlets	2

DESCRIPTION

The COS collection was designed to create brassware that was both modern and classic to suit any style of bathroom.

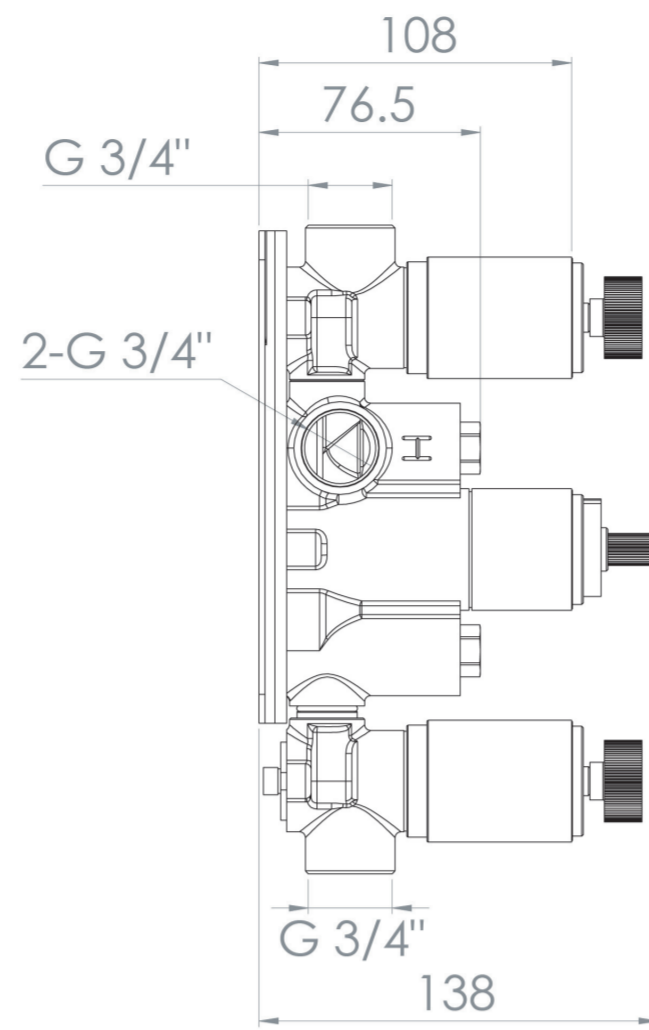
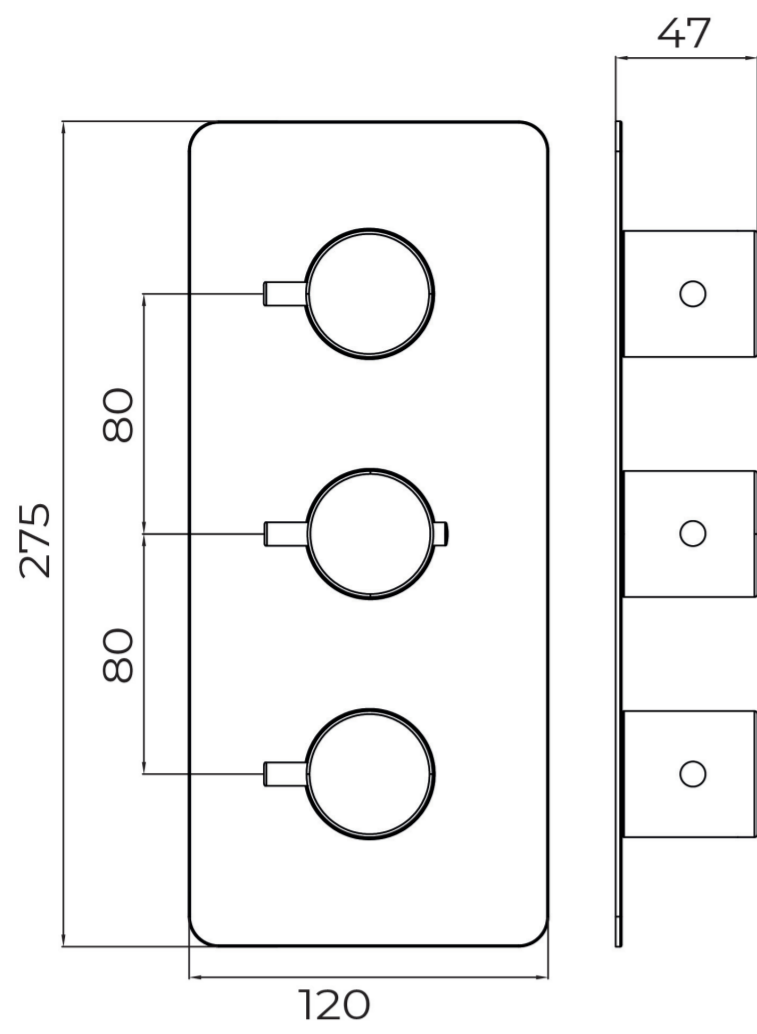
This COS 2 way thermostatic shower valve with 3 handles in a modern matte black finish will instantly add a luxurious touch to your shower and bathroom as a whole.

This landscape thermostatic valve has 2 outlets which allows it to control a shower head and handset, a handset and bath filler, or a shower head and bath filler with its 3 handles. The left and right handles control the on/off function of the two components, whilst the middle handle controls the water temperature.

*WRAS Approved valve

TECHNICAL DRAWING

FLOW RATE



- 1 Bar - Flowrate: 21 l/min
- 2 Bar - Flowrate: 28.5 l/min
- 3 Bar - Flowrate: 35 l/min

Saneux reserves the right to alter the specifications and product range without prior notice. Dimensions are given as a guide only. Dimensions should not be used for surrounding furniture, fixtures and fittings until the product is on site.

<https://saneux.com/products/cos-2-way-thermostatic-low-pressure-shower-valve-kit-in-landscape-matte-black>