

LOW PROFILE PLASTIC TRAP FOR FURNITURE



PRODUCT INFORMATION

Finish:	White
Height:	54mm
Width:	47.5mm
Depth:	255mm
Material:	Plastic
Weight:	2kg
Guarantee:	5 years

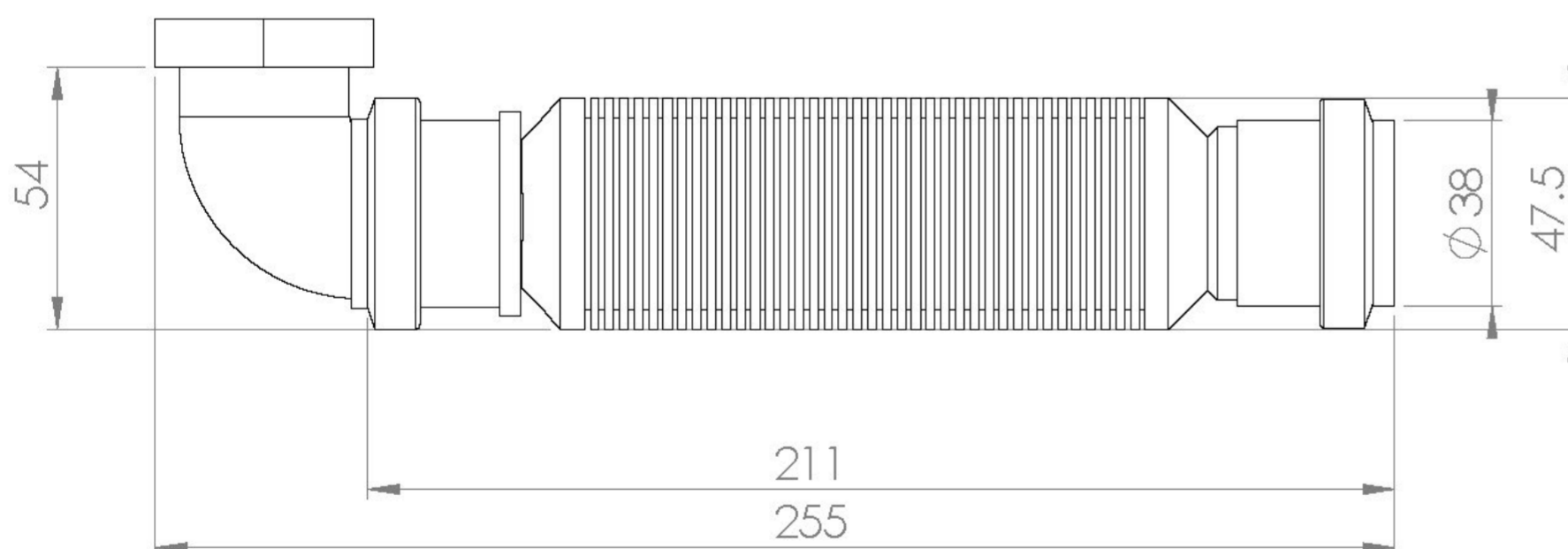
Product Code: WA005

DESCRIPTION

This low profile plastic trap was designed to work with our selection of furniture, specifically the washbasin drawer units.

It will fit snugly under the basin within the unit when connected to the basin waste, and its low profile design means that storage space within the unit won't be compromised.

TECHNICAL DRAWING



Saneux reserves the right to alter the specifications and product range without prior notice. Dimensions are given as a guide only. Dimensions should not be used for surrounding furniture, fixtures and fittings until the product is on site.