

1 1/4" ROUND CLICKER UNSLOTTED WASTE - BRUSHED BRASS



Product Code: WA003.BB

PRODUCT INFORMATION

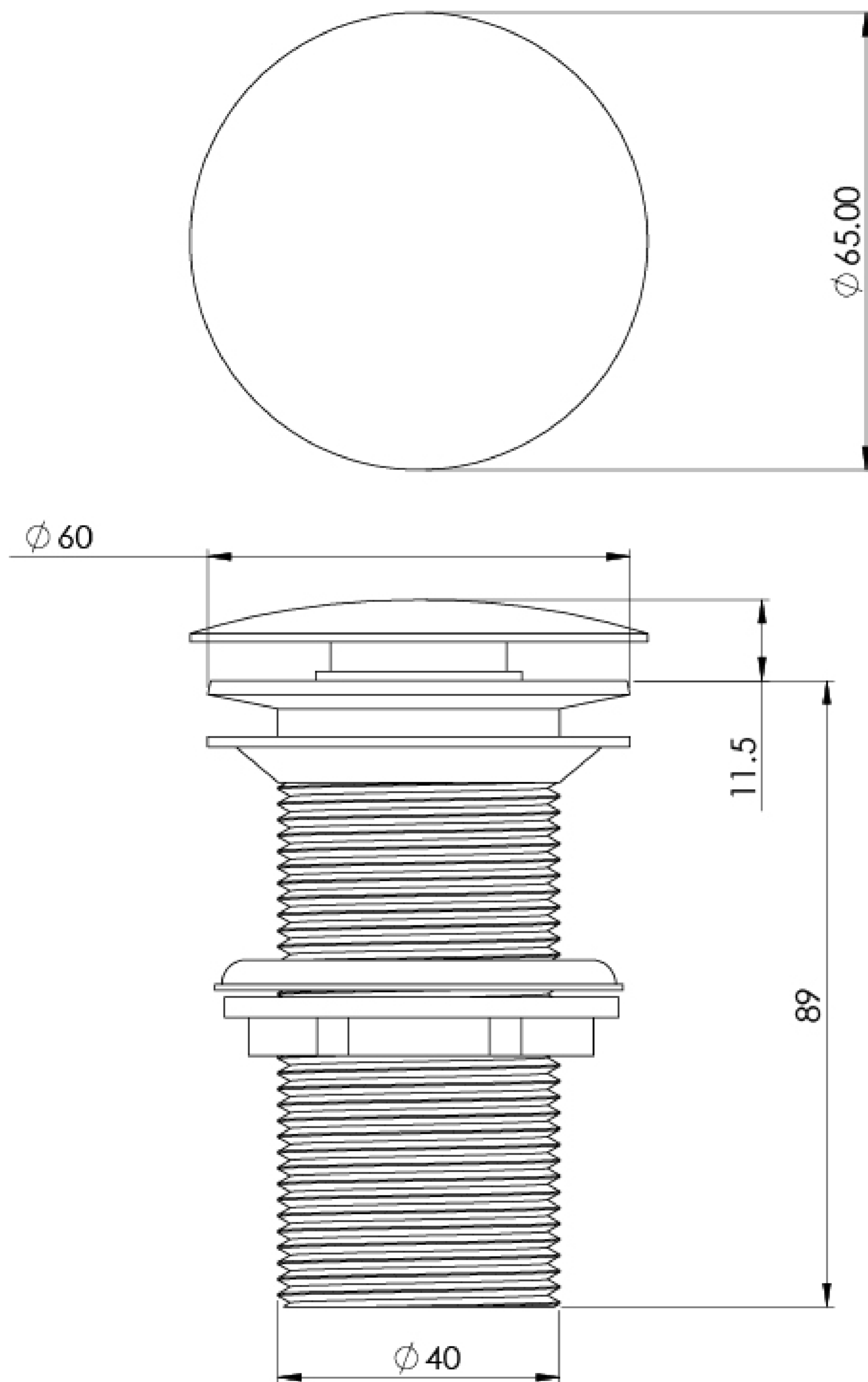
Finish:	Brushed Brass (PVD)
Height:	87mm
Width:	60mm
Depth:	60mm
Material	Brass
Weight	0.23kg
Guarantee	5 years

DESCRIPTION

This 1 1/4" round unslotted clicker basin waste in brushed brass will work with all of our washbasins.

The slim dome cover is simple and sleek; simply press it to plug the waste, and again to drain the water. It works specifically for basins that don't have an overflow, and the brushed brass finish has a PVD coating which will look flawless for years to come.

TECHNICAL DRAWING



Saneux reserves the right to alter the specifications and product range without prior notice. Dimensions are given as a guide only. Dimensions should not be used for surrounding furniture, fixtures and fittings until the product is on site.