

OVERFLOW COVER - MATTE BLACK



PRODUCT INFORMATION

Finish:	Matte Black
Height:	30mm
Width:	30mm
Depth:	14mm
Weight:	0.02kg
Guarantee:	5 years

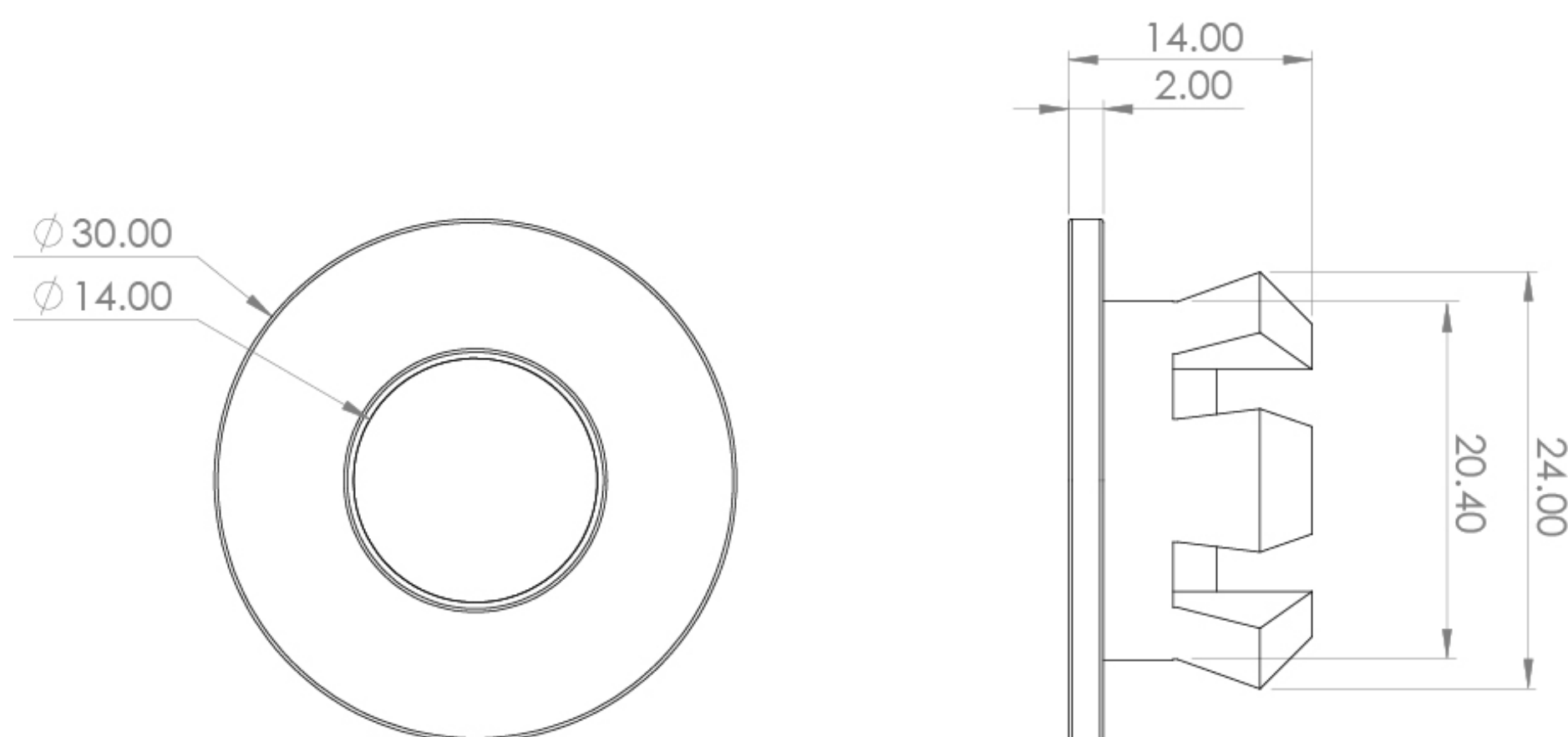
Product Code: OC01

DESCRIPTION

When opting for matte black brassware, we know it's important that even the smallest of finishing touches are considered.

This overflow cover in matte black can be used with most of our washbasins, and will nicely tie in the rest of your matte black brassware together.

TECHNICAL DRAWING



Saneux reserves the right to alter the specifications and product range without prior notice. Dimensions are given as a guide only. Dimensions should not be used for surrounding furniture, fixtures and fittings until the product is on site.